

---

# INSTALLATION INSTRUCTIONS

---

## MSB-6350 DISPLAY MOUNTING BRACKET

Prior to assembly, unpack carton completely and verify contents.  
If you are missing any of the following components, please contact Customer Service at 1-800/582-6480.

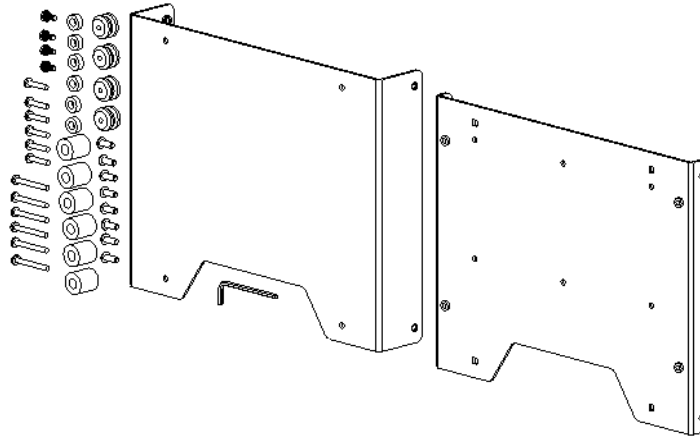


Figure 1

- (1) Interface Bracket Top
- (4) Mounting Button – Tapped
- (4) 8-32 x .375 Phillips Screw
- (6) M4 x 35mm Phillips Head Cap Screw
- (6) 18mm x 8.3mm x 20mm Black Nylon Spacer

- (1) Interface Bracket Bottom
- (8) 10-24 x .5 Button Head Cap Screw
- (6) M4 x 20mm Phillips Head Cap Screw
- (6) .50 x .26 x .1875 White Nylon Spacer
- (1) 1/8" Allen Key

BEFORE PROCEEDING, READ INSTALLATION INSTRUCTIONS COMPLETELY

**CAUTION!** DISPLAYS ARE EXTREMELY FRAGILE.

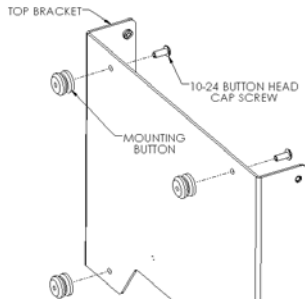
**WARNING!** ALL COMPONENTS MUST BE SECURELY FASTENED TO A STRUCTURAL MEMBER CAPABLE OF SUPPORTING 4 TIMES THE COMBINED WEIGHT OF ALL COMPONENTS PLUS THE EQUIPMENT BEING MOUNTED. IF IT CANNOT SUPPORT THIS WEIGHT, THE STRUCTURE MUST BE REINFORCED. THE MAXIMUM WEIGHT TO BE INSTALLED ON THE INTERFACE IS 125 POUNDS (56.7 KG).

**NOTE:** The screens using this interface have a media box attach directly to the back of the panel. Please follow the appropriate **INSTALLATION** process (listed below) if the media box will be installed directly behind the screen or be placed in a different location (requiring longer cables).

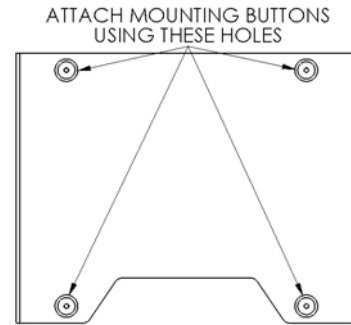
- **INSTALLATION:** WITH MEDIA BOX ATTACHED DIRECTLY BEHIND SCREEN (See page 2).
- **INSTALLATION:** WITHOUT MEDIA BOX ATTACHED DIRECTLY BEHIND SCREEN (See page 4).

**INSTALLATION: WITH MEDIA BOX ATTACHED DIRECTLY BEHIND SCREEN**

1. Using a 10-24 button head cap screw inserted from back side of top bracket, secure mounting button, with chamfered hole of mounting button (larger surface) facing bracket, bracket (four places) (see Figure 2 and Figure 3).

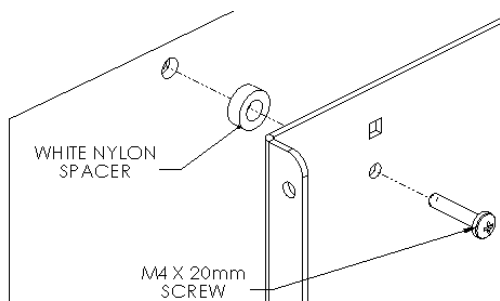


**Figure 2**

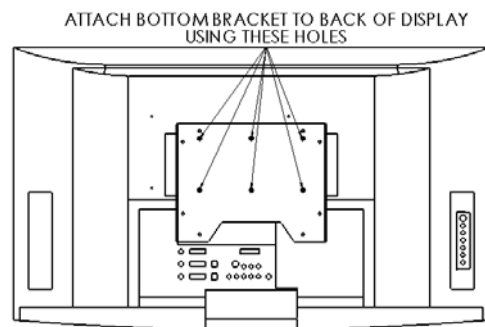


**Figure 3**

2. Place .1875" white nylon spacers over mounting holes on back of panel.
3. Attach bottom bracket to back of display using the M4 x 20mm screws (see Figure 4 and Figure 5). Do not over tighten screws.

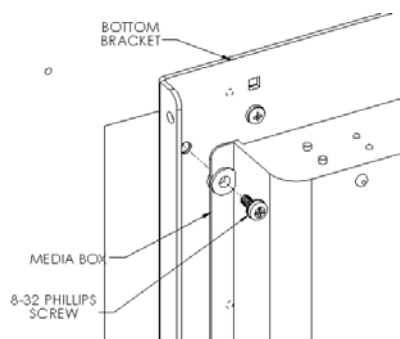


**Figure 4**

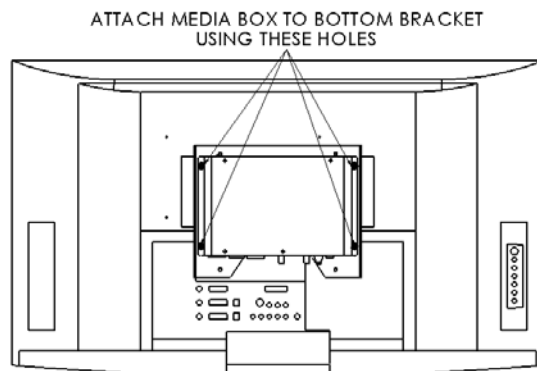


**Figure 5**

4. Attach media box to bottom bracket using the 8-32 Phillips screws (see Figure 6 and Figure 7). Do not over tighten screws.

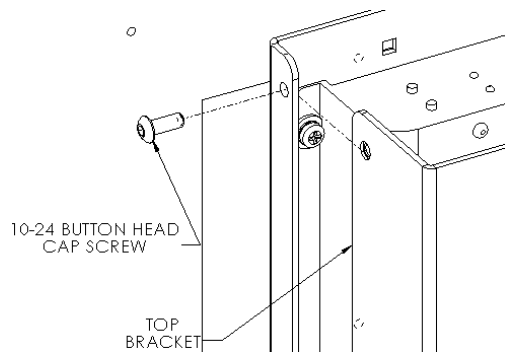


**Figure 6**

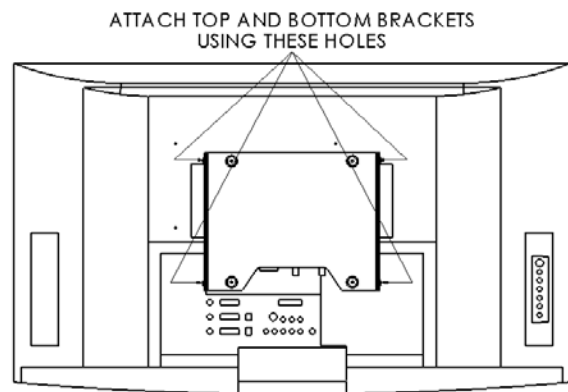


**Figure 7**

5. Attach top and bottom brackets using the remaining four 10-24 button head cap screws (see Figure 8 and Figure 9).
6. With the aid of another person, lift the display up to the Chief Mount and align buttons of mounting bracket with slots on the Chief Mount.



**Figure 8**

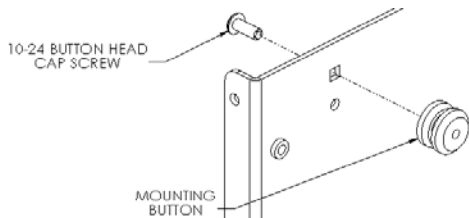


**Figure 9**

7. Raise safety latch on the Chief Mount to secure the display, making sure latch is completely engaged.

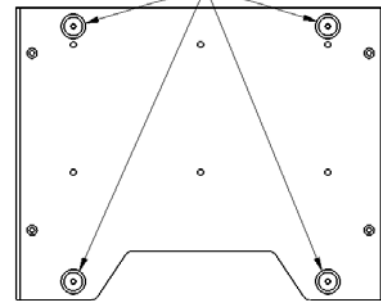
**INSTALLATION: WITHOUT MEDIA BOX ATTACHED DIRECTLY BEHIND SCREEN**

8. Using a 10-24 button head cap screw inserted from back side of bottom bracket through the square holes, secure mounting button, with chamfered hole of mounting button (larger surface) facing bracket, bracket (four places) (see Figure 10 and Figure 11).
9. Place 20mm black nylon spacers over mounting holes on back of panel.



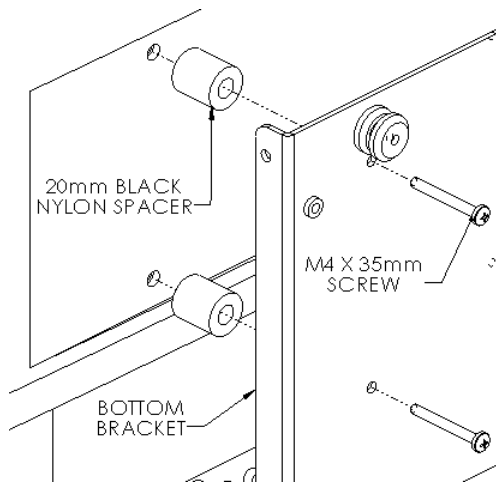
**Figure 10**

ATTACH MOUNTING BUTTONS TO BOTTOM BRACKET USING THESE HOLES



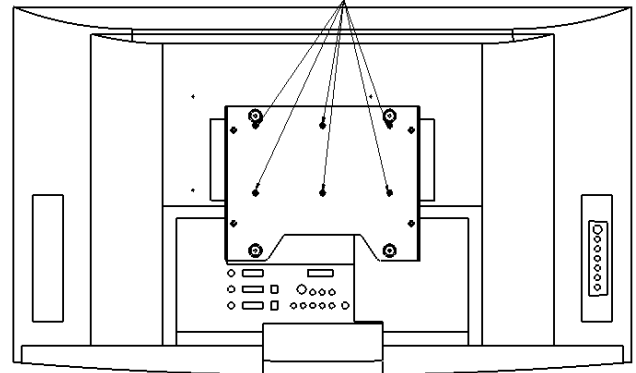
**Figure 11**

10. Attach bottom bracket to back of display using the M4 x 35mm screws (see Figure 12 and Figure 13). Do not over tighten screws.



**Figure 12**

ATTACH BOTTOM BRACKET TO BACK OF DISPLAY USING THESE HOLES



**Figure 13**

11. With the aid of another person, lift the display up to the Chief Mount and align buttons of mounting bracket with slots on the Chief Mount.
12. Raise safety latch on the Chief Mount to secure the display, making sure latch is completely engaged.