



INSTALLATION INSTRUCTIONS

PSB-2153

PLASMA DISPLAY MOUNTING BRACKET

Prior to assembly, unpack carton completely and verify contents.

If you are missing any of the following components, please contact Customer Service at 1-800/582-6480

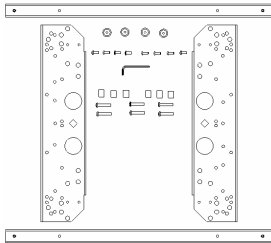


Figure 1

- (2) Plasma Side Bracket
- (4) Mounting Button - Tapped
- (6) M5 x 25mm Phillips Head Cap Screw
- (6) M5 x 50mm Phillips Head Cap Screw
- (1) 1/8 Allen Key

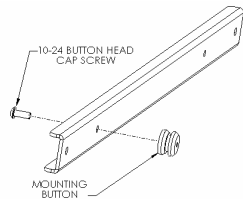


Figure 2

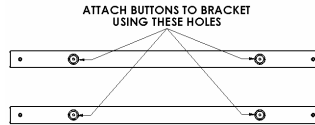


Figure 3

- (2) Plasma Top/Bottom Bracket
- (8) 10-24 x .5 Button Head Cap Screw
- (6) .75 x .34 x .50 Nylon Spacer
- (6) .74 x .39 x 1.0 Nylon Spacer

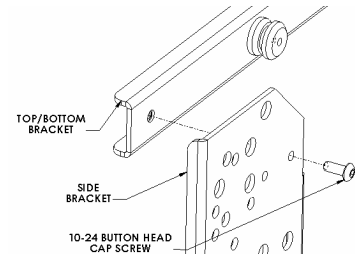


Figure 4

BEFORE PROCEEDING, READ INSTALLATION INSTRUCTIONS COMPLETELY

CAUTION! PLASMA DISPLAYS ARE EXTREMELY FRAGILE.

1. Using a 10-24 button head cap screw inserted from back side of bracket, secure mounting button, with chamfered hole of mounting button (larger surface) facing bracket, to top and bottom brackets (four places) (see Figure 2 & Figure 3).
2. Using four 10-24 button head cap screws, attach top and bottom to side brackets (see Figure 4 & Figure 5).
3. Place .5" Nylon spacers over mounting holes on back of screen. Attach mounting brackets to display using the M5 x 25mm screws (see Figure 6 & Figure 7). If screen has protrusion on back, stack both .5" and 1" spacers and use M5 x 50mm screws.
4. With the aid of another person, lift your display up to the Chief Mount, aligning buttons of mounting brackets with slots in the Chief Mount.
5. Lower safety latch on the Chief Mount to secure your display, making sure latch is completely engaged.

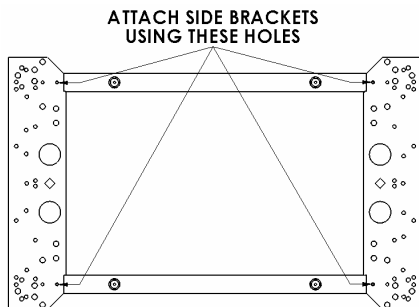


Figure 5

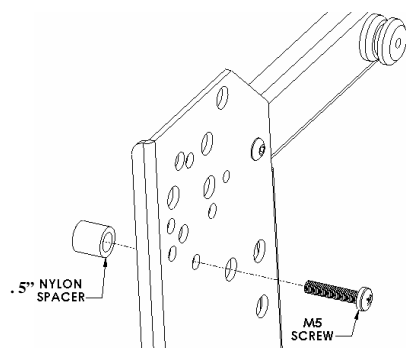


Figure 6

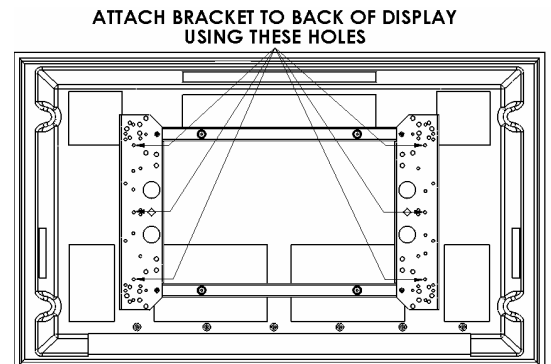


Figure 7