



INSTALLATION INSTRUCTIONS
PSM 2081 & PSM 2083
PLASMA DISPLAY STATIC MOUNT

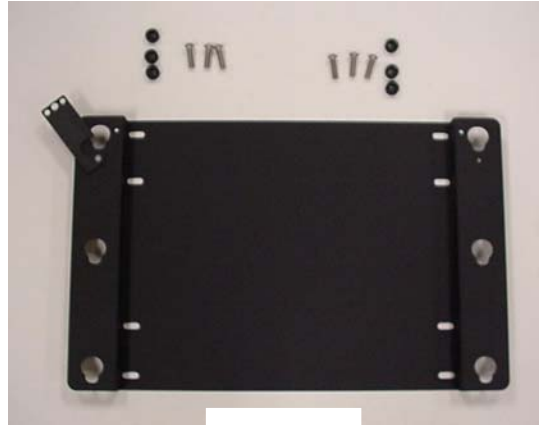
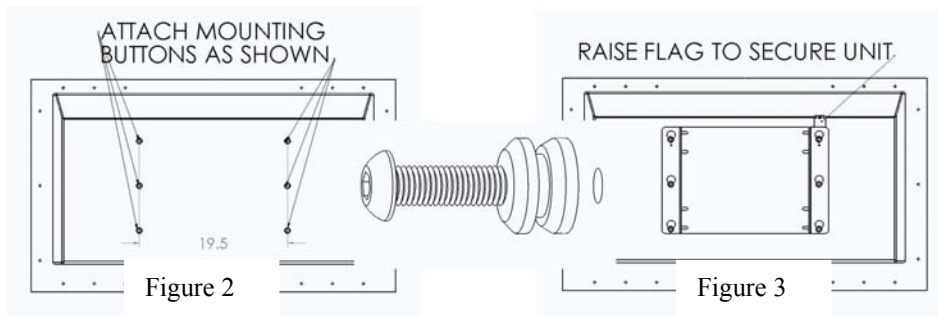


Figure 1

- | | |
|---|--|
| (1) Plasma Static Mount | (1) 10-24 x .5 FH Undercut Screw (Attached to Mount) |
| (1) Latching Flag (Attached to Mount) | (1) 10-24 Nylock Nut (Attached to Mount) |
| (6) Mounting Buttons-Black .316" Hole | (6) M8 x 25mm Button Head Cap Screws |
| (1) Nylon Washer .500" OD x .312" ID x .0312" (Attached to Mount) | |
| (1) M5 Allen Key | |

BEFORE PROCEEDING: Unpack the carton, verify contents shown in Figure 1 and read installation instructions completely. If you are missing any of the listed components, please contact Customer Service at 1-800/582-6480.

CAUTION! PLASMA DISPLAYS ARE EXTREMELY FRAGILE.



1. Attach mounting buttons to plasma using six M8 x 25 cap screws provided (see Figure 2).

WARNING! THE SUPPORT STRUCTURE MUST BE CAPABLE OF SUPPORTING 4 TIMES THE COMBINED WEIGHT OF THE PLASMA AND MOUNT.

2. Securely anchor the plasma static mount to the wall using wall studs or supporting framework.
3. Make sure the flag is lowered to the side before attempting to place the plasma on the mount.
4. With the aid of another person, lift the plasma display up to the mount, align the mounting buttons on the plasma with the teardrop slots in the mount, and set the plasma into place (see figure 3).
5. Position (raise) the flag to secure the plasma.

08/12/02