



INSTALLATION INSTRUCTIONS
PLASMA DISPLAY STATIC MOUNT
 PSM-2023^{UL}

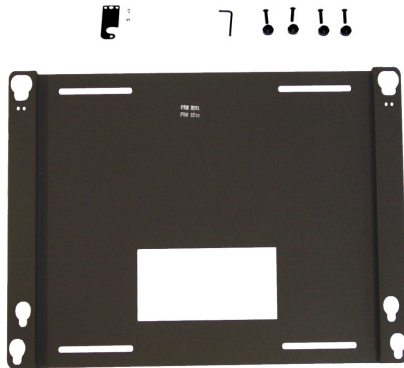


Figure 1

- (1) Plasma Static Mount
- (4) Mounting Buttons-Black Unthreaded
- (4) M8-1.25 x 35mm BHCS
- (1) 5mm Allen Key

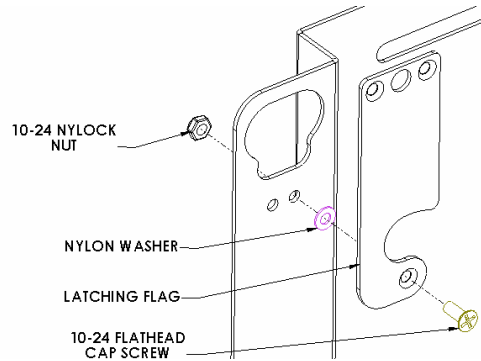


Figure 2

- (1) Latching Flag
- (1) 10-24 Nylock Nut
- (1) 10-24 x .5 Undercut FH Screw
- (1) Nylon Washer

BEFORE PROCEEDING: Unpack the carton, verify contents shown in Figure 1 and read installation instructions completely. If you are missing any of the listed components, please contact Customer Service at 1-800/582-6480.

WARNING

ALL COMPONENTS MUST BE SECURELY FASTENED TO A STRUCTURAL MEMBER CAPABLE OF SUPPORTING 4 TIMES THE COMBINED WEIGHT OF ALL COMPONENTS PLUS THE EQUIPMENT BEING MOUNTED. IF IT CANNOT SUPPORT THIS WEIGHT, THE STRUCTURE MUST BE REINFORCED.

THE MAXIMUM WEIGHT TO BE INSTALLED ON THE MOUNT IS 150 POUNDS (68.04 KG).

1. Attach latching flag to bracket (See Figure 2).
2. Place mounting buttons on mounting holes and attach using M8-1.25 x 35 mm BHCS (see Figure 3 & Figure 4).
3. Mount plasma static mount onto wall utilizing wall studs or supporting framework. The mount, when anchored in place, must be capable of supporting 4 times the weight of the plasma and mount.
4. With the aid of another person, lift plasma display up to the Chief mount, aligning mounting buttons with the teardrop slots and setting into place.
5. Raise safety latch to secure plasma in place (see Figure 5).

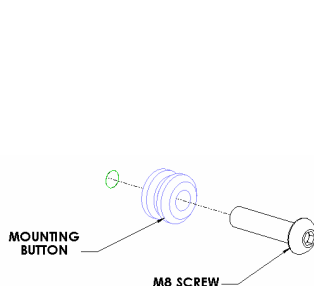


Figure 3

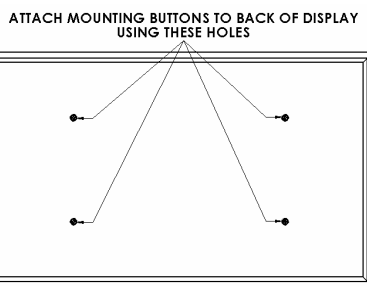


Figure 4

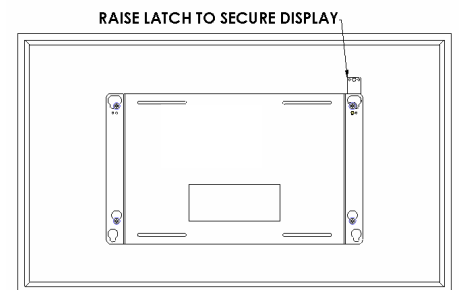


Figure 5