

INSTALLATION INSTRUCTIONS

DISPLAY STATIC MOUNT

PSM-2024 & 2025 

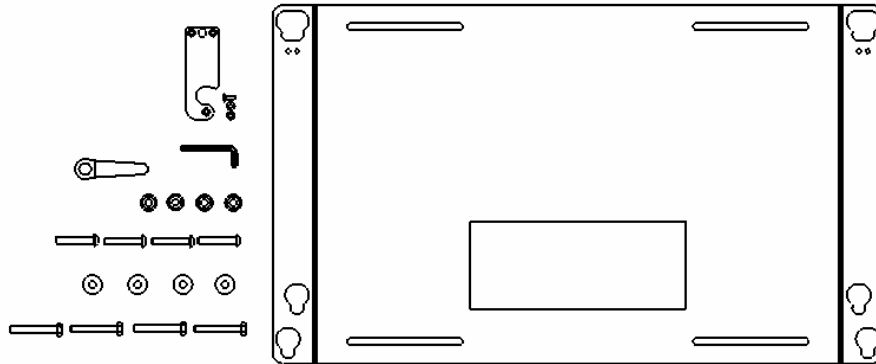


Figure 1

- | | |
|---|-----------------------------------|
| (1) Static Mount Bracket | (4) Mounting Buttons |
| (1) 10-24 x .5 Flat Head Undercut Screw | (1) Nylon Washer |
| (1) Latching Flag | (1) 10-24 Nylock Nut |
| (4) .875 x .330 x .375 Nylon Spacer | (4) M8 x 55mm Hex Head Cap Screws |
| (4) M8 x 45mm Button Head Cap Screws | (1) 13mm Wrench |

BEFORE PROCEEDING: Unpack the carton, verify contents shown in Figure 1 and read installation instructions completely. If you are missing any of the listed components, please contact Customer Service at 1-800/582-6480.

CAUTION! Displays are Extremely Fragile.

1. Attach latching flag to mount using the 10-24 Phillips flat head screw, Nylon washer, and Nylock nut (see Figure 2). Tighten until friction will hold the flag in place.

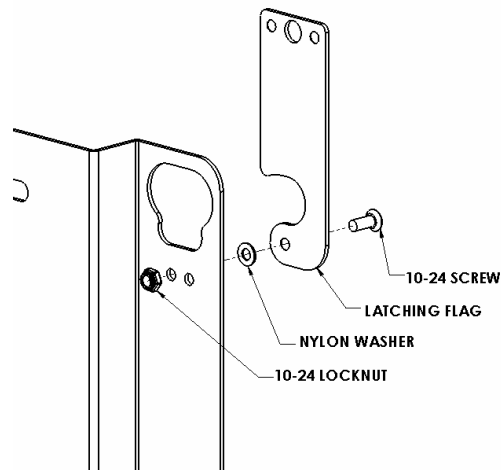


Figure 2



CHIEF MANUFACTURING INC.
1-800-582-6480 952-894-6280 FAX 952-894-6918
8401 EAGLE CREEK PKWY, STE. 700
SAVAGE, MINNESOTA 55378 USA

8805-000066 REV. A
2006 Chief Manufacturing
www.chiefmfg.com
05/06

WARNING

ALL COMPONENTS MUST BE SECURELY FASTENED TO A STRUCTURAL MEMBER CAPABLE OF SUPPORTING 4 TIMES THE COMBINED WEIGHT OF ALL COMPONENTS PLUS THE EQUIPMENT BEING MOUNTED. IF IT CANNOT SUPPORT THIS WEIGHT, THE STRUCTURE MUST BE REINFORCED. THE MAXIMUM WEIGHT TO BE INSTALLED ON THE MOUNT IS 175 POUNDS (79.38 KG).

2. Attach mounting buttons to display using four M8 screws provided (see Figure 3 & Figure 4). Use longer screws and spacers if necessary.

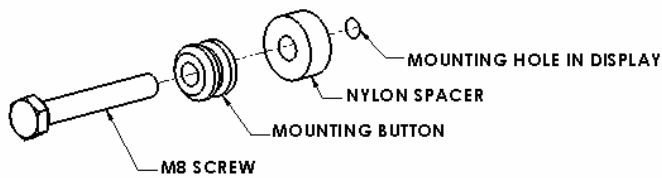


Figure 3

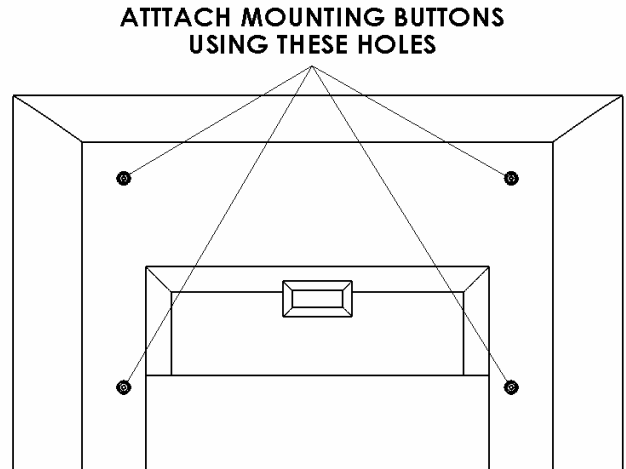


Figure 4

3. Securely anchor the static mount to wall studs or supporting framework (see WARNING).
4. Make sure the flag is lowered before attempting to place the screen on the mount.
5. With the aid of another person, lift the display up to the mount, align the mounting buttons on the screen with the teardrop slots in the mount, and set the screen into place (see Figure 5).
6. Position (raise) the flag to secure the display.

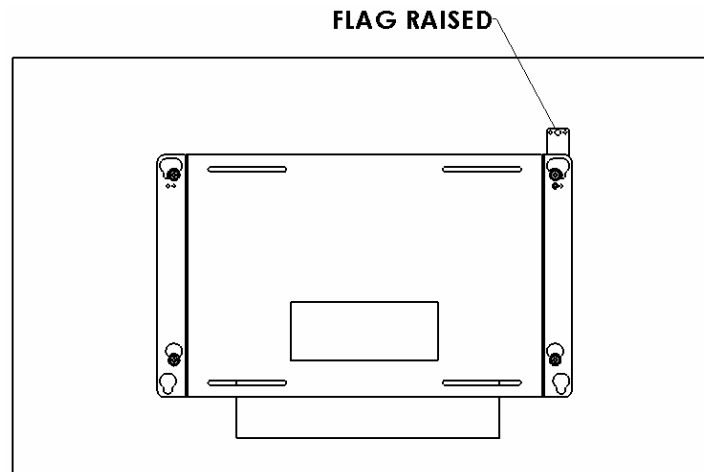


Figure 5