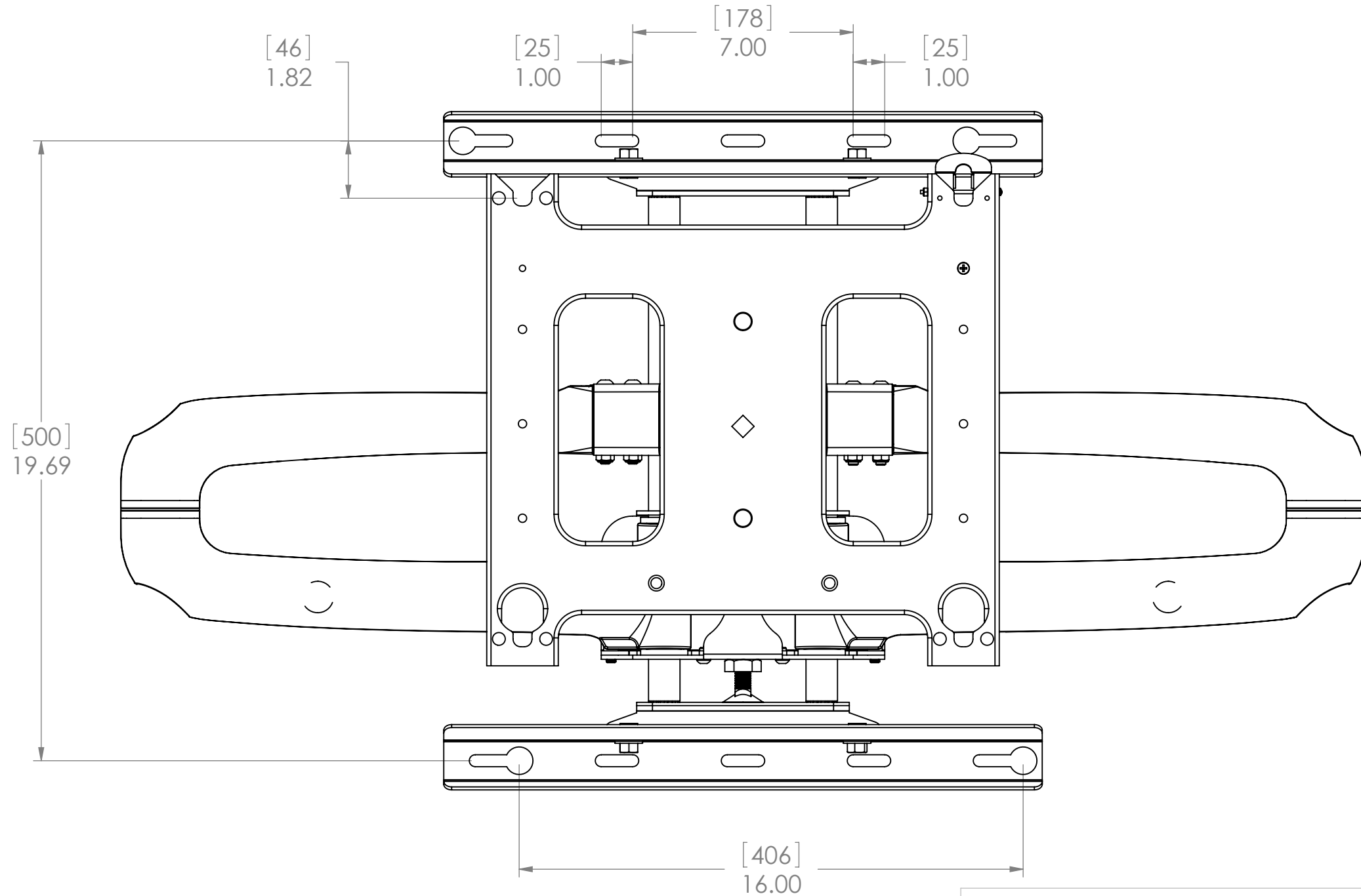


NOTE: CUSTOM INTERAFCE BRACKET NOT SHOWN. THE CUSTOM INTERFACE BRACKET NEEDED FOR YOUR DISPLAY WILL ADD BETWEEN 1/2" AND 2" IN DEPTH AND MAY AFFECT LOCATION OF DISPLAY ON THE MOUNT.

SEE PSB-XXXX DRAWING ALSO.

	200 LBS
HEIGHT ADJUSTMENT	1"
TILT / ROLL / YAW	+5,° -17° / ±2° / ±0°

Mounting Pattern



CHIEF MANUFACTURING INC.
MOUNT ORDER NUMBER IS PDR
PHONE: 1-800-582-6480
7/3/2007

ALL MEASUREMENTS ARE IN THE FOLLOWING FORMAT:
 INCHES

THE INFORMATION AND DESIGNS CONTAINED IN THIS DRAWING ARE CONFIDENTIAL AND THE PROPRIETARY PROPERTY OF CHIEF MFG., INC. NEITHER THIS DESIGN NOR ANY INFORMATION CONTAINED IN THIS DRAWING MAY BE REPRODUCED OR DISCLOSED TO OTHERS WITHOUT THE EXPRESS WRITTEN CONSENT OF

CHIEF MANUFACTURING, INC.
 8401 EAGLE CREEK PKWY * SAVAGE, MN 55378
 1.800.582.6480 * Fax 1.877.894.6918

TITLE
CUSTOMER PRINT

B BRACKET ORDER # PDR

BRACKET ORDER # PDR

A

Unit Depth

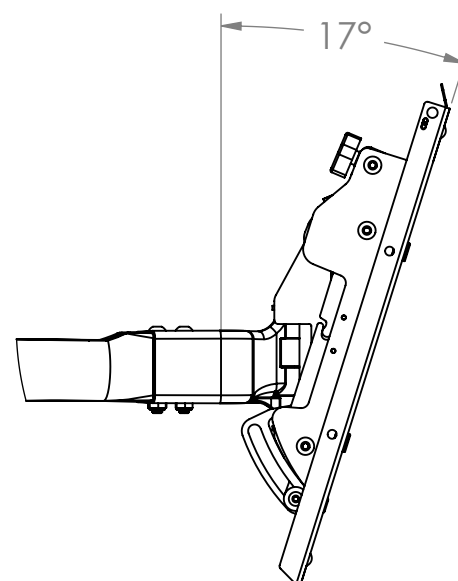
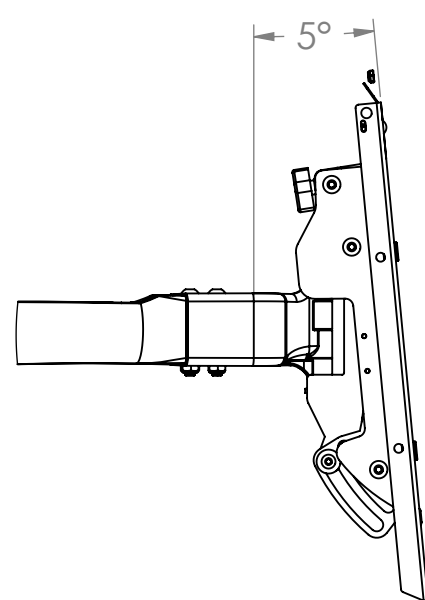
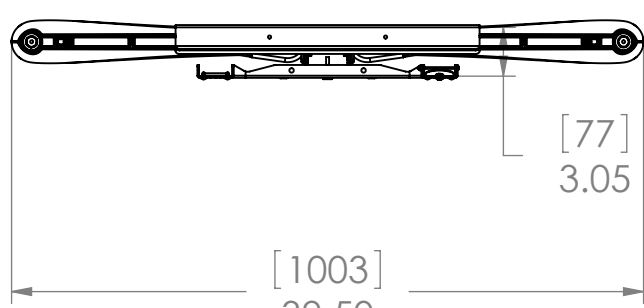
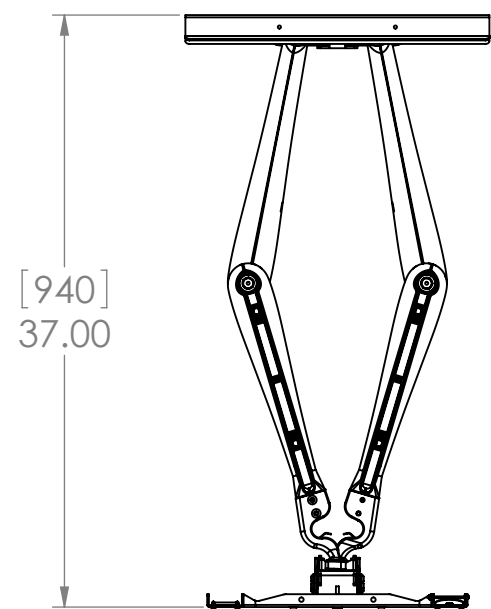
Tilt Adjustment *

Extended

Retracted

Tilted Up

Tilted Down



*The range of adjustment will vary with different size screens

[67]
2.62

Highest Height Setting

2°

Lowest Height Setting

[39]
1.55

Roll Adjustment

THE INFORMATION AND DESIGNS CONTAINED IN THIS DRAWING ARE CONFIDENTIAL AND THE PROPRIETARY PROPERTY OF CHIEF MFG., INC. NEITHER THIS DESIGN NOR ANY INFORMATION CONTAINED IN THIS DRAWING MAY BE REPRODUCED OR DISCLOSED TO OTHERS WITHOUT THE EXPRESS WRITTEN CONSENT OF CHIEF MFG., INC.

CHIEF MANUFACTURING, INC.
12800 HWY 13 SOUTH STE. 500 * SAVAGE, MN 55378
1.800.582.6480 * fax 1.877.894.6918

TITLE
CUSTOMER PRINT

SIZE | DWG. NO.
B BRACKET ORDER # PDR

BRACKET ORDER # PDR

D

C

B

A

1

2

3

4

5

6

7

8

1

2

3

4

5

6

7

8