
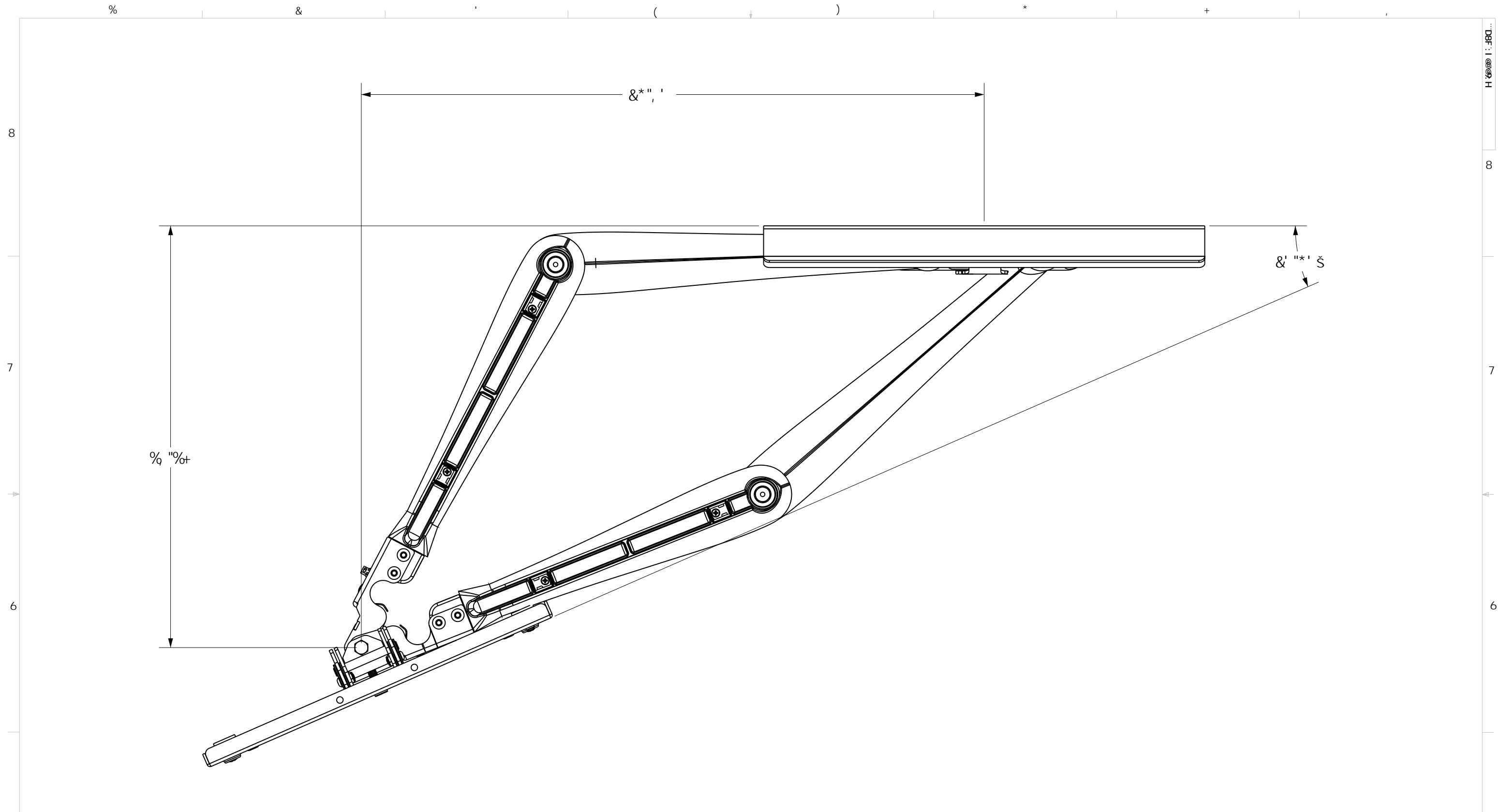


CHIEF MANUFACTURING INC.
MOUNT ORDER NUMBER IS PDR-RANGE OF MOTION
PHONE: 1-800-582-6480

SHEET SCALE = 1:7.5

THE INFORMATION AND DESIGNS CONTAINED IN THIS DRAWING ARE CONFIDENTIAL AND THE PROPRIETARY PROPERTY OF CHIEF MFG., INC. NEITHER THIS DESIGN NOR ANY INFORMATION CONTAINED IN THIS DRAWING MAY BE REPRODUCED OR DISCLOSED TO OTHERS WITHOUT THE EXPRESS WRITTEN CONSENT OF CHIEF MFG., INC.

 CHIEF MANUFACTURING, INC. <small>8401 EAGLE CREEK PKWY STE. 700, SAVAGE, MN 55378 1.800.582.6480 * FAX 1.877.894.6918</small>	
TITLE CUSTOMER PRINT PDR-RANGE OF MOTION	
SIZE B	DWG. NO. PDR-RANGE OF MOTION



7 < 9: A 5BI : 57H F-B; 'B7"
 A CI BHC F89' BI A 69' -GD8F : I @ @ @ . H
 D < CB9 . % , \$ \$!) , & * (, \$

G < 99HG7 5 @ 9 ' 1 % (

H 9 - B : CFA 5HC B ' 5B8 ' 89G - BG7CBH5 - B98
 - B ' H - G8F5K - B ; ' 5F97CB : - 89BH5 @ 5B8 ' H 9
 DFC DF - 9 - 5FMDFC D9' HMC : 7 < 9: ' A : ; ' Z - B7 "
 B 9 H K 9 ' H - G89G - B ' BCF ' 5BM - B : CFA 5HC B
 7CBH5 - B98 - B ' H - G8F5K - B ; ' A 5M69
 F9DFC 8I 7 98 ' CF ' 8 - 67 @ G98 ' H C ' H K 9FG
 K - H C I H K 99LDF9GGK F - H B 7CBG9BHC:
 7 < 9: ' A : ; ' Z - B7 "

CHIEF logo

7 < 9: A 5BI : 57H F-B; Z-B7"
 (\$ % 95 : @ 9 7 F 997 D7K MG97 - \$ \$ 2 G5 J 5 : 92A B ') ' + ,
 % , \$ \$) , 8 * (, \$ 1 : 5L % , ++ , - (* - %)

H 9 9
 7 I G C A 9 F ' DF - B H
 D8F : I @ @ @ . H

G 9 9 ' BK : ' BC *
 6 D8F : I @ @ @ . H