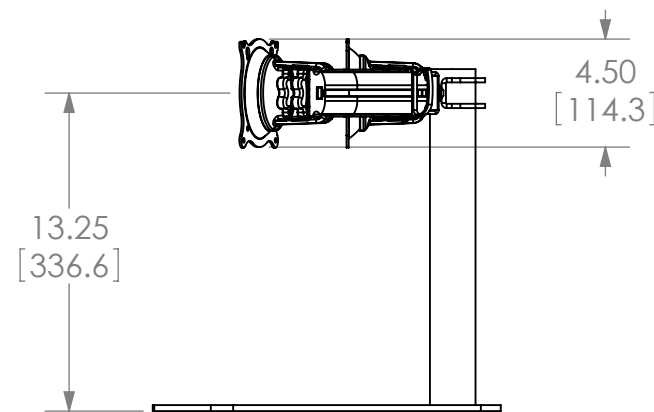
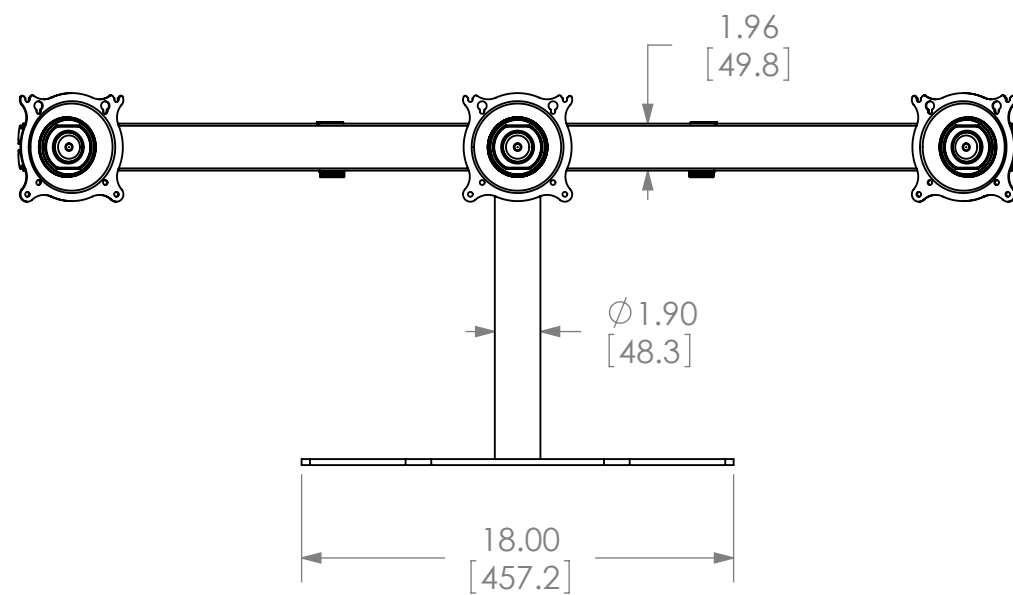


IF SAME SIZE DISPLAY IS USED FOR ALL THREE,
MAXIMUM SCREEN WIDTH OF 18.0".



CHIEF MANUFACTURING INC.
MOUNT ORDER NUMBER IS MSP-DCCFTP320B
PHONE: 1-800-582-6480

SHEET SCALE = 1:8

THE INFORMATION AND DESIGNS CONTAINED
IN THIS DRAWING ARE CONFIDENTIAL AND THE
PROPRIETARY PROPERTY OF CHIEF MFG., INC.
NEITHER THIS DESIGN NOR ANY INFORMATION
CONTAINED IN THIS DRAWING MAY BE
REPRODUCED OR DISCLOSED TO OTHERS
WITHOUT THE EXPRESS WRITTEN CONSENT OF
CHIEF MFG., INC.



TITLE
CUSTOMER PRINT
MSP-DCCFTP320B

SIZE DWG. NO.
B MSP-DCCFTP320B

8401 EAGLE CREEK PKY
SUITE #700
SAVAGE, MN 55378
PHONE: 952-894-6280
FAX: 877-894-6918