



AUTOMATED MOUNTS CM1W18 □ 37 - 61" SWING ARM MOUNT



FEATURES

- 1 ULTIMATE FLEXIBILITY**
Extends up to 18" (457 mm) and swivels up to 50° (1270 mm) for maximum range of motion.
- 2 MULTIPLE CONTROL OPTIONS**
Control options include: serial communication, three programmable viewing options, and IR remote (included).
- 3 Q-LATCH™ MOUNTING SYSTEM**
Flat panel secures to mount with a latching flag. Easy to connect/disconnect – no tools needed!
- 4 CABLE MANAGEMENT**
Integrated cable management clips and aesthetic wrap included.
- 5 LOW PROFILE™**
Collapses to 4.25" (108 mm), concealing mount behind the screen.

WHAT YOU NEED TO KNOW

MULTIPLE CONTROL OPTIONS
AMX/Crestron control compatibility

VOLTAGE OPTIONS
120V or 230V

REMOTE INCLUDED

SPECIFICATIONS

Extension	4.25-18" (108-457 mm)
Weight Capacity	170 lbs (77.1 kg)
Swivel*	up to ±50°
Color	Black

*Swivel range varies depending on screen size.

RECOMMENDED ACCESSORIES

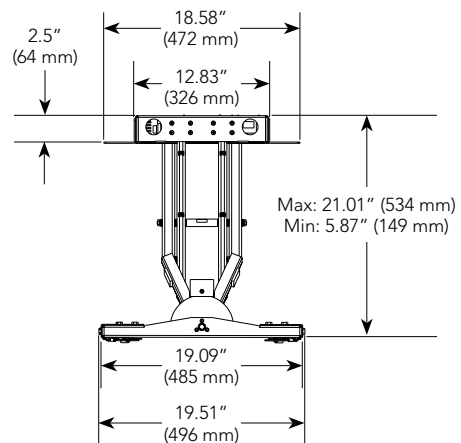


PACLR1 ■ Side Speaker Adapter



PACCC1 ■ Center Channel Speaker Adapter

TECHNICAL DRAWINGS



For a complete list of automated mount accessories see page 81.