



## FEATURES

- 1 CENTRIS™ FINGERTIP TILT**  
**PATENTED FEATURE**  
Provides smooth fingertip tilt in all directions using the screen's center of gravity. Screen angle stays set until you decide to re-adjust.
- 2 SMOOTH EXTENSION**  
Extends 20.38" (518 mm) to achieve ideal viewing angle.
- 3 CABLE MANAGEMENT**  
Easily route cables through predefined pathway inside arms.



## SPECIFICATIONS

Extension	20.38" (518 mm)
Tilt	±15°
Swivel	Up to 180°
Dimensions* (HxWxD)	14.69" x 12.13" x 2.69" (373 x 308 x 68 mm)
Color	Black, Silver
Weight Capacity	75 lbs (34 kg)

\* Dimensions don't include interface bracket



## WHAT YOU NEED TO KNOW

### ORDERING OPTIONS

Available in custom and universal.

- JWDV = VESA 100 x 100mm, 100 x 200 mm, 200 x 200 mm and 400 x 200 mm patterns
- JWD210 + MSB6XXX = Custom 26 - 45" (see MountFinder at [www.chiefmfg.com](http://www.chiefmfg.com))
- JWDU – VESA patterns up to 400 x 400 mm

### OTHER PRODUCT OPTION

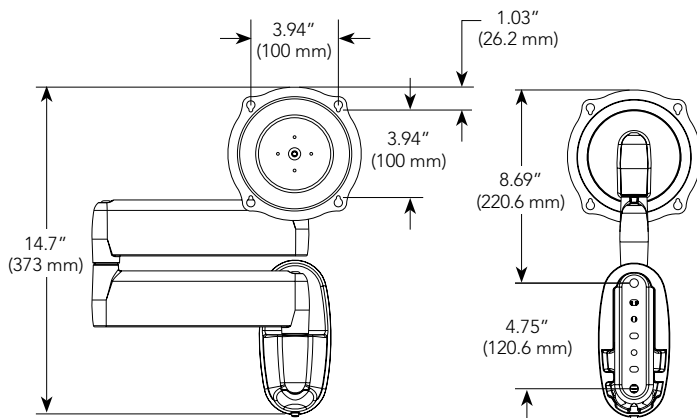


**JWP**  
Pivot/Tilt  
Wall Mount



**JWS**  
Single Arm  
Wall Mount

## TECHNICAL DRAWINGS



## HOME THEATER APPLICATION

