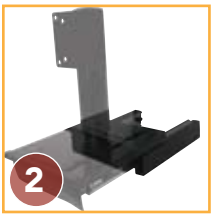




CARTS & STANDS MPO™ 15 - 40" PULL-OUT TABLE STAND



FEATURES

1 TELESCOPING HEIGHT ADJUSTMENT
Height -adjusts up to 4" (101.6 mm).

2 SMOOTH EXTENSION
Extends 5.5" (140 mm) to achieve ideal viewing angle.

3 BOLT-DOWN INSTALLATION
Designed for stability, the MPO bolts down to install.

SMOOTH SWIVEL
Smooth swivel up to 15° in either direction.

WHAT YOU NEED TO KNOW

INSTALLATION RECOMMENDATION

Integrate the MPO with 15" - 40" flat panel TVs into cabinetry or recessed installations to achieve smooth extension and swivel movement.

SPECIFICATIONS

Extension	5.5" (140 mm)
Height	16.36- 21.63" (422 - 549 mm)
Swivel	+/-15°
Weight Capacity	130 lbs (59 kg)
Color	Black

RECOMMENDED ACCESSORIES

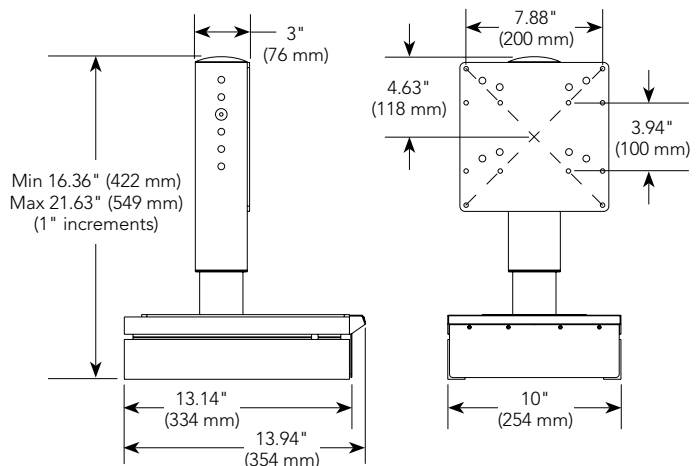


HC1 ■ Heavy-Duty Cable System



LC1 ■ Cable Lock

TECHNICAL DRAWINGS



For a complete list of flat panel mount accessories see page 73.