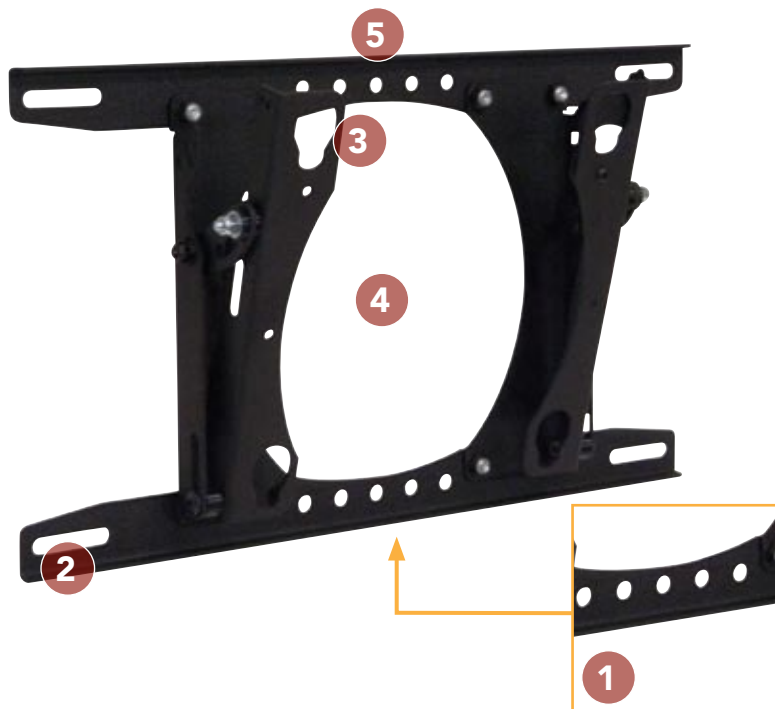




FEATURES

- 1 MULTIPLE INSTALLATION OPTIONS**
Choose from five different positions when using a single stud system or use 16" center stud mounting system.
- 2 INTEGRATED LATERAL SHIFT**
Reposition mount 1.5 - 2" left or right after installation for ultimate positioning flexibility.
- 3 Q-LATCH™ MOUNTING SYSTEM**
Flat panel secures to mount with a latching flag. Easy to connect/disconnect – no tools needed! Protect display by adding a padlock.
- 4 OPEN WALL PLATE DESIGN**
Expanded wall plate opening provides cable access and reduces risk of outlet interference.
- 5 RAPID LEVELING™**
Hands-free leveling of mount on wall after installation.



SPECIFICATIONS

Depth from Wall	1.5" (38 mm)
Tilt	0 - 15°
Lateral Shift	1.5" L/R (2" L/R single stud)
Dimensions* (HxWxD)	10.88" x 18.5" x 1.54" (276 x 450 x 39 mm)
Color	Black
Weight Capacity	125 lbs (56.7 kg)

* Dimensions don't include interface bracket



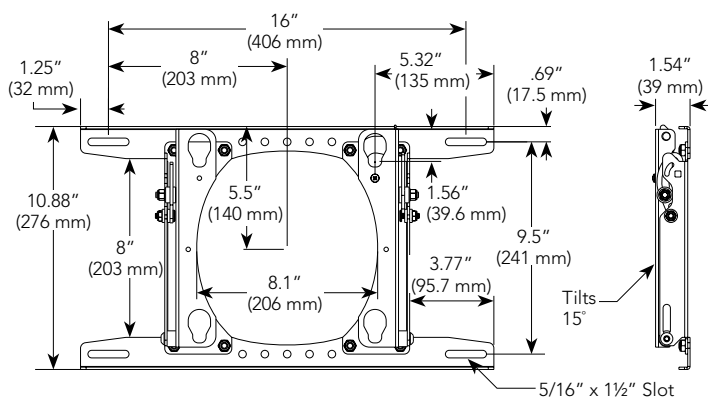
WHAT YOU NEED TO KNOW

ORDERING OPTIONS

Available in custom and universal.

- MTRV = VESA 100 x 100 mm, 200 x 100 mm, 200 x 200 mm and 400 x 200 mm patterns
- MTRU = Universal 30 - 50" (see page 47)
- MTR-XXXX = Custom (see MountFinder at www.chiefmfg.com)

TECHNICAL DRAWINGS



RECOMMENDED ACCESSORIES



ENS ■ Lateral Shift Extrusion



PACLR1 ■ Left/Right Speaker Adapter



PAC520 ■ Multiple Option New Construction Pre-Wire Box

For a complete list of flat panel mount accessories see page 69.