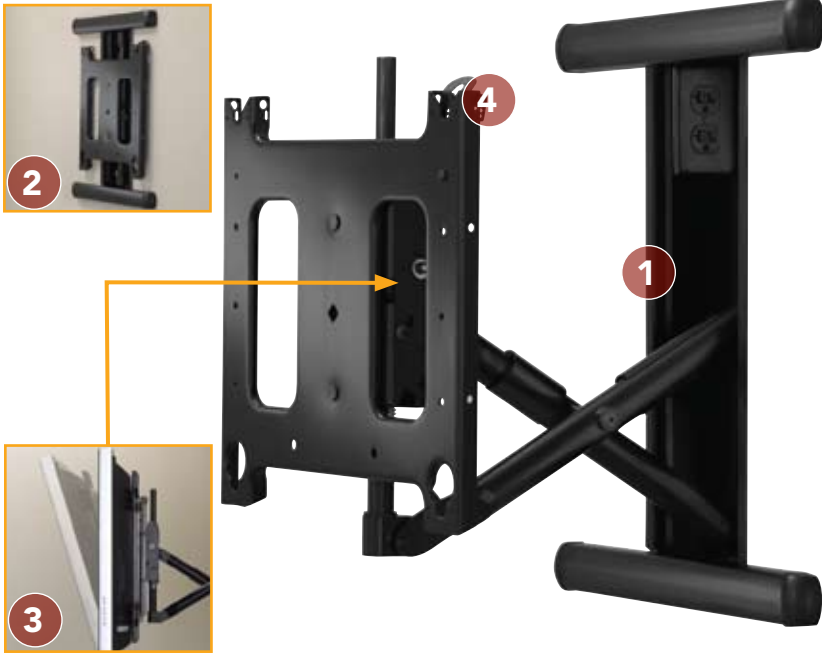




IN-WALL MOUNTS PIWRF™ IN-WALL SWING ARM

42-71" Flat Panels



FEATURES

- 1 LIMITLESS CENTERING**
Center flat panel at any position on wall between 16" center studs without cutting studs. No header/footer necessary!
- 2 LOW PROFILE**
Designed to ensure mount remains concealed behind the screen.
- 3 CENTRIS™ FINGERTIP TILT**
Low-profile design uses the center of gravity to achieve smooth fingertip tilt. Screen angle stays set until you decide to re-adjust.
- 4 CLICKCONNECT™ TECHNOLOGY**
PATENT-PENDING
An audible click confirms flat panels are locked in place. Easy to connect/disconnect - no tools needed! Protect display by adding a padlock.

WHAT YOU NEED TO KNOW

ORDERING INFORMATION

The PIWRF kit includes in-wall box with integrated swing arm – no other parts necessary. Available in Universal or Custom:

- **UNIVERSAL:** Order PIWRFUB
- **CUSTOM:** Order PIWRF2000B + PSB-xxxx
See MountFinder™ PRO on www.chiefmfg.com for custom PSB model numbers.

For 30 - 50" screens see MIWRF™ on page 40.

SPECIFICATIONS

Roll	+/-2°
Tilt	15°
Swivel	40° Left/Right
Extension	15" (381 mm)
Dimensions* (HxWxD)	22.82" x 20.39" x 5.54" (580 x 518 x 142 mm)
Color	Black
Weight Capacity	200 lbs (90.7 kg)

* Dimensions don't include interface bracket

RECOMMENDED ACCESSORIES

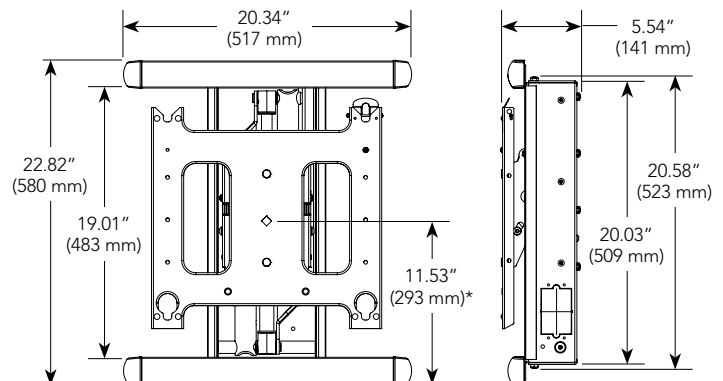


PACCC1 ■ Center Channel
Speaker Adapter



PACLR1 ■ Left/Right Speaker Adapter

TECHNICAL DRAWINGS



*Allows ±1" height adjustment

For a complete list of flat panel mount accessories see page 73.