



### FEATURES

- 1 PERFECTLY PROPORTIONED**  
Ample room for most 32-channel mixers with 14 spaces on SD models and 28 spaces on non-SD models for rack mount equipment.
- 2 SECURE**  
Rear doors, locking roll top cover and locking pocket doors protect your equipment.
- 3 SEATING SPACE**  
SD models include space for seating and a 14-space rack for equipment.
- FINISH OPTIONS**
  - Cherry Laminate ■
  - Black and silver wrinkle powder coat (ST) ■
  - Walnut Laminate ■

### ORDERING OPTIONS

Model	Rack Height	Overall Depth (A)	Height (B)	Height W/ Casters (C)	Finish	Power Options
ERT-CH	14 space + 14 space	30" (762 mm)	39.5" (100 cm)	41.4" (105 cm)	Cherry	NAPDH11
ERT-CHSD	14 space	30" (762 mm)	39.5" (100 cm)	41.4" (105 cm)	Cherry	NAPDH11
ERT-ST	14 space + 14 space	34" (864 mm)	39.5" (100 cm)	44" (111.8 cm)	Black*	NAPDH11
ERT-WT	14 space + 14 space	30" (762 mm)	39.5" (100 cm)	41.4" (105 cm)	Walnut	NAPDH11
ERT-WTSD	14 space	30" (762 mm)	39.5" (100 cm)	41.4" (105 cm)	Walnut	NAPDH11

\* The Black finish option comes with a silver steel frame, black steel panels, and a silver steel roll top.

### RECOMMENDED ACCESSORIES

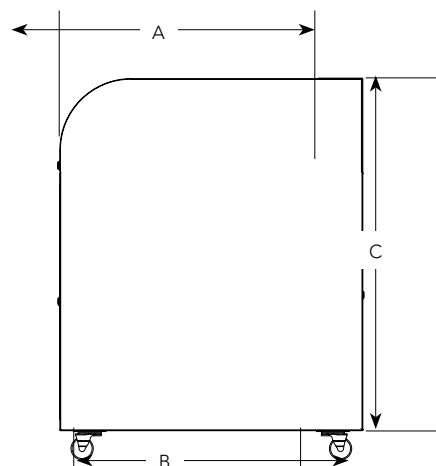


**ERT-WTSLR** ■ Walnut Slide Out Rack



**ERT-CHSLR** ■ Cherry Slide Out Rack

### TECHNICAL DRAWINGS



For a complete list of rack accessories see page 174.