



FEATURES

- 1 INNOVATIVE DESIGN**
Sleek laminate shelves to revamp your workflow and an integrated sliding keyboard shelf for a more efficient workstation.
- 2 QUALITY CONSTRUCTION**
Simple, but solid-steel skeleton and support feet, and 3-tiered shelf with sliding keyboard shelf is built to last.
- FINISH OPTION**
Ebony Fleck Laminate with black steel frame ■

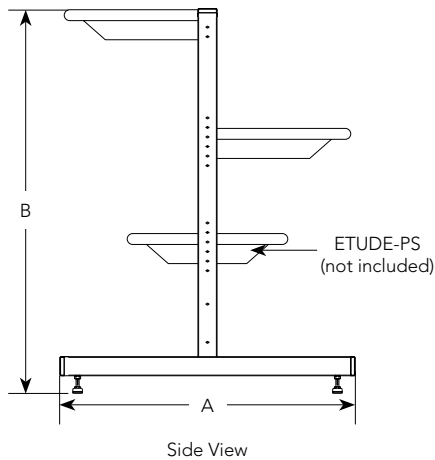


ORDERING OPTIONS

Model	Overall Depth (A)	Overall Width	Overall Height (C)	Finish
ETUDE	31" (787 cm)	55" (140 cm)	40" (102 cm)	Ebony Fleck

Note: Assembly Required.

TECHNICAL DRAWINGS



RECOMMENDED ACCESSORIES



ETUDE-PS ■ CPU Printer Shelf
(see tech drawing)



CASTER/CONFIGUR ■ Set of 4 Casters

For a complete list of rack accessories see page 174.