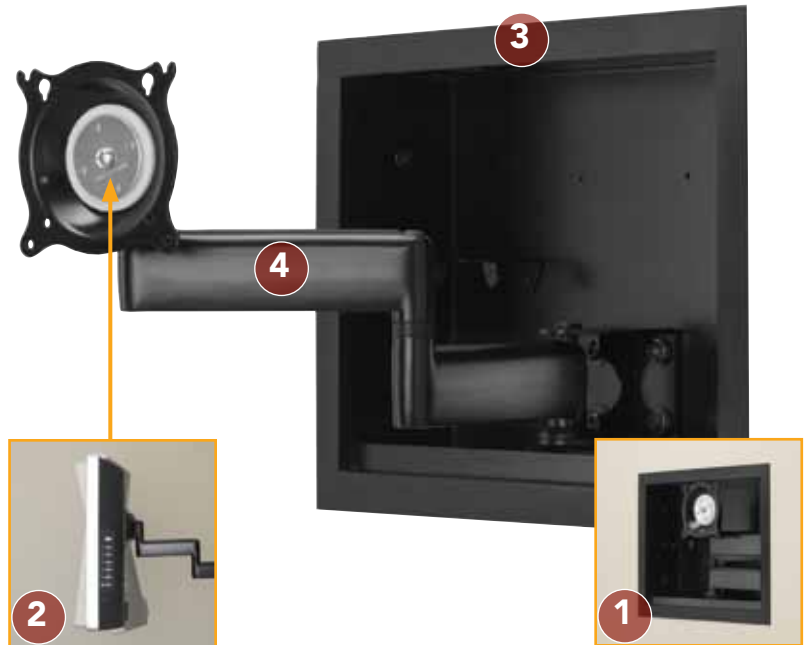




FEATURES

- 1 LOW PROFILE**
Designed to ensure mount remains concealed behind the screen.
- 2 CENTRIS® FINGERTIP TILT**
PATENTED FEATURE
Provides smooth fingertip tilt in all directions using the screen's center of gravity. Screen angle stays set until you decide to readjust.
- 3 EASY INSTALLATION**
Center screen at any position on wall between 16" center studs without cutting studs. No header/footer necessary!
- 4 SMOOTH EXTENSION**
Extends up to 17.2" (437 mm) to achieve ideal viewing angle.



SPECIFICATIONS

Roll	360°
Tilt	±15°
Swivel*	90° Left/Right
Extension	17.2" (437 mm)
Dimensions (HxWxD)	10.5" x 14.5" x 4.2" (268 x 368 x 107 mm)
Color	Black
Weight Capacity	40 lbs (18.1 kg)

* With 24" screen. Swivel range varies with screen size.

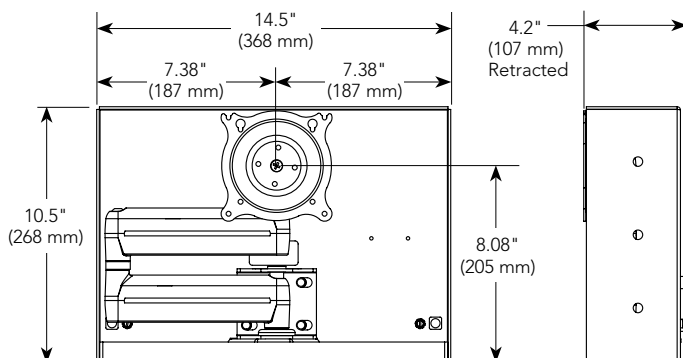
WHAT YOU NEED TO KNOW

ORDERING INFORMATION

FAC501 and FWDIW must be ordered separately. Available in universal or custom:

- **UNIVERSAL:** Order FAC501 and FWDIWVB
Compatible with VESA 75 x 75 mm and 100 x 100 mm. Also includes 200 x 100 mm interface.
- **CUSTOM:** Order FAC501, FWDIW110B + FSBxxxx
See MountFinder™ PRO on www.chiefmfg.com for custom FSB model numbers.

TECHNICAL DRAWINGS



RECOMMENDED ACCESSORIES



PACPC1 ■ Power Filter

For a complete list of TV mount accessories see page 93.