



CEILING MOUNTS FHS □ 12 - 23" SINGLE CEILING MOUNT



FEATURES

- 1 CENTRIS® FINGERTIP TILT**
Provides smooth fingertip tilt in all directions using the screen's center of gravity. Screen angle stays set until you decide to readjust.
- 2 POST-INSTALLATION LEVELING**
No tools needed. Ultra fast and easy screen positioning with lock-down capability.
- 3 PORTRAIT/LANDSCAPE CAPABILITY**
Mounts in either portrait or landscape position.
- 4 CABLE MANAGEMENT**
Easily route cables through 1-1/2" NPT extension column.

(Extension column and ceiling plate are required and must be ordered separately to fit your specific installation requirements.)

WHAT YOU NEED TO KNOW

ORDERING OPTIONS
Available in custom or universal.

OTHER PRODUCT OPTIONS



FHP18110
Ceiling Mount with 12 - 18" (30 - 46 cm) Extension and Ceiling Plate



FHP110
Ceiling Mount with 24 - 46" (61 - 117 cm) Extension and Ceiling Plate

SPECIFICATIONS

Roll	360°
Tilt	±15°
Yaw	360°
Color	Black, Silver
Weight Capacity	40 lbs (18.1 kg)

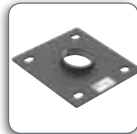
RECOMMENDED ACCESSORIES



CMA STRUCTURAL ADAPTERS

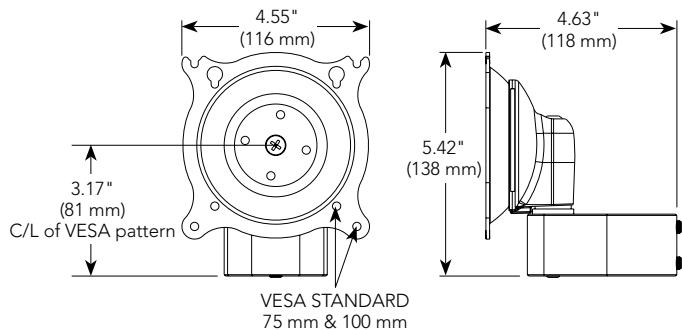


CMS EXTENSION COLUMNS



CMA CEILING PLATES

TECHNICAL DRAWINGS



For a complete list of TV mount accessories see page 93.