



FEATURES

- 1 Q-LATCH® MOUNTING SYSTEM**
Screen secures to mount with a latching flag.
Easy to connect/disconnect – no tools needed!
Protect display by adding a padlock.
- 2 INTEGRATED LATERAL SHIFT**
Reposition mount 0.5" (13 mm) left or right after installation for ultimate positioning flexibility.

WHAT YOU NEED TO KNOW

ORDERING OPTIONS

Available in custom and universal.

- FSRV = VESA 75 x 75 mm, 100 x 100 mm and 200 x 100 mm patterns
- FSR4100 = VESA 75 x 75 mm and 100 x 100 mm patterns

MULTIPLE INSTALLATION OPTIONS

Can be installed on a single stud or drywall.

SPECIFICATIONS

Depth from Wall*	0.75" (19 mm)
Lateral Shift	0.5" (13 mm) Left/Right
Mounting Options	Single Stud, Drywall
Dimensions* (HxWxD)	7" x 6" x .75" (178 x 152 x 19 mm)
Color	Black
Weight Capacity	45 lbs (20.5 kg), stud 30 lbs (13.6 kg), drywall

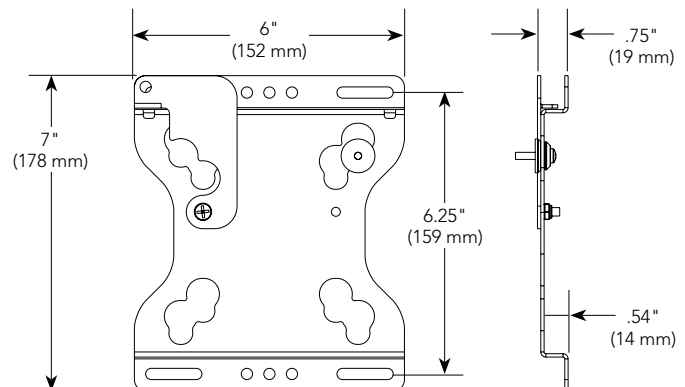
* Dimensions don't include interface bracket

RECOMMENDED ACCESSORIES



PX2W ■ Power Outlet Conditioner

TECHNICAL DRAWINGS



For a complete list of TV mount accessories see page 93.