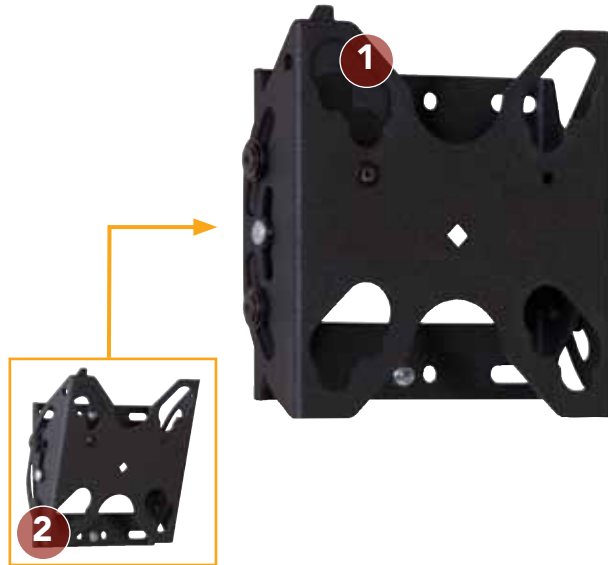




FEATURES

- 1 Q-LATCH® MOUNTING SYSTEM**
Flat panel secures to mount with a latching flag. Easy to connect/disconnect – no tools needed! Protect display by adding a padlock.
- 2 CENTRIS® FINGERTIP TILT**
Effortlessly adjust display using Centris fingertip tilt technology. Screen angle stays set until you decide to readjust.



SPECIFICATIONS

Depth from Wall	1.95" (50 mm)
Tilt	-15°, +5°
Lateral Shift	0.5" (13 mm)
Dimensions* (HxWxD)	5.4" x 5.33" x 1.95" (138 x 136 x 49.5 mm)
Color	Black
Weight Capacity	45 lbs (20.4 kg) stud 30 lbs (13.6 kg) drywall

* Dimensions don't include interface bracket

WHAT YOU NEED TO KNOW

ORDERING OPTIONS

Available in custom and universal.

- FTRV = VESA 75 x 75 mm, 100 x 100 mm and 200 x 100 mm patterns
- FTR4100 = VESA 75 x 75 mm and 100 x 100 mm patterns

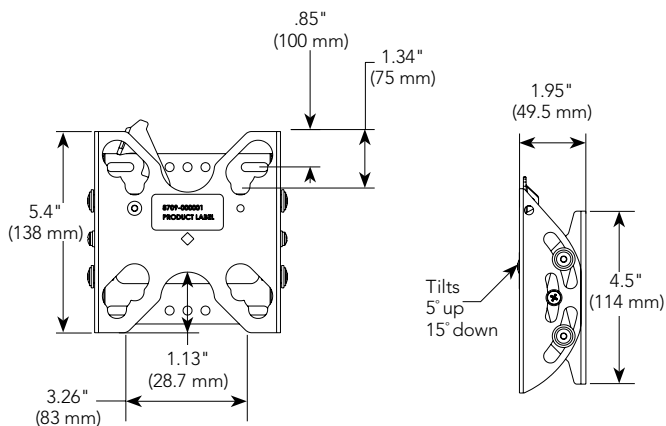
MULTIPLE INSTALLATION OPTIONS

Choose either a single stud or drywall mounting system.

INSTALLATION

Includes all mounting hardware.

TECHNICAL DRAWINGS



RECOMMENDED ACCESSORIES



PX2W ■ Power Outlet Conditioner

For a complete list of TV mount accessories see page 93.