



FEATURES

- 1 CENTRIS® FINGERTIP TILT**
Provides smooth fingertip tilt in all directions using the screen's center of gravity. Screen angle stays set until you decide to readjust.
- 2 POST-INSTALLATION LEVELING**
No tools needed. Ultra fast and easy screen positioning with lock-down capability.
- 3 PORTRAIT/LANDSCAPE CAPABILITY**
Mounts in either portrait or landscape position.
- 4 CABLE MANAGEMENT**
Easily route cables through 1-1/2" NPT extension column.



(Extension column and ceiling plate are required and must be ordered separately to fit your specific installation requirements.)

SPECIFICATIONS

Roll	±2°
Tilt	±15°
Yaw	360°
Color	Black, Silver
Weight Capacity	75 lbs (34 kg)

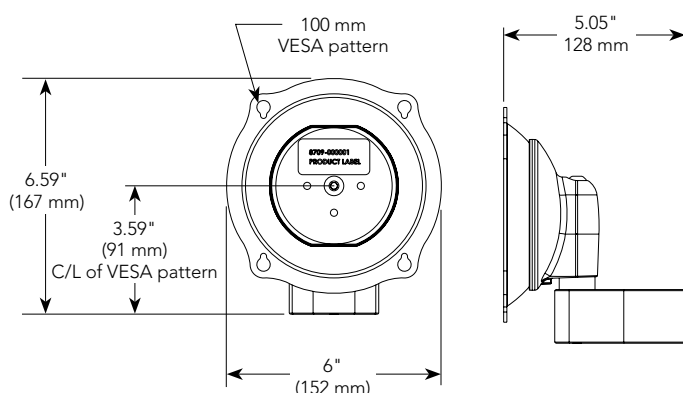
WHAT YOU NEED TO KNOW

ORDERING OPTIONS

Available in custom and universal.

- JHSV = VESA 100 x 100 mm, 200 x 100 mm, 200 x 200 mm and 400 x 200 mm patterns
- JHSxxxx = Custom (see MountFinder™ Pro at www.chiefmfg.com)
- JHSU = VESA patterns up to 400 x 400 mm

TECHNICAL DRAWINGS



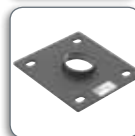
RECOMMENDED ACCESSORIES



CMA STRUCTURAL ADAPTERS



CMS EXTENSION COLUMNS



CMA CEILING PLATES

For a complete list of TV mount accessories see page 93.