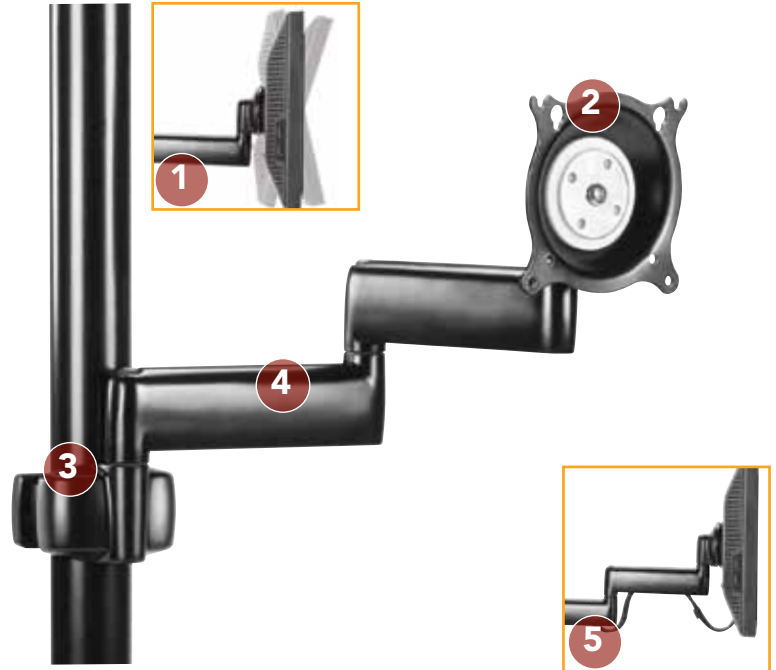




FEATURES

- 1 CENTRIS® TECHNOLOGY**
PATENTED FEATURE
Provides smooth fingertip tilt in all directions using the screen's center of gravity. Screen angle stays set until you decide to readjust.
- 2 ADVANCED DISPLAY MOUNTING**
Teardrop hole pattern makes mounting the screen quick and easy.
- 3 FLEXIBLE INSTALLATION**
Allows installation on pre-existing poles. Ships fully assembled.
- 4 ULTIMATE FLEXIBILITY**
Maximum range of motion from low profile to full extension.
- 5 CABLE MANAGEMENT**
Easily route cables through predefined pathway inside arms.



SPECIFICATIONS

Depth from Pole	2.13" (56 mm)
Max. Extension	15.94" (404 mm)
Tilt	±15°
Weight Capacity	40 lbs (18.2 kg)
Pole Outer Diameter Range	1.5-2" (38 - 51 mm)
Colors	Black, Silver

WHAT YOU NEED TO KNOW

OTHER PRODUCT OPTIONS

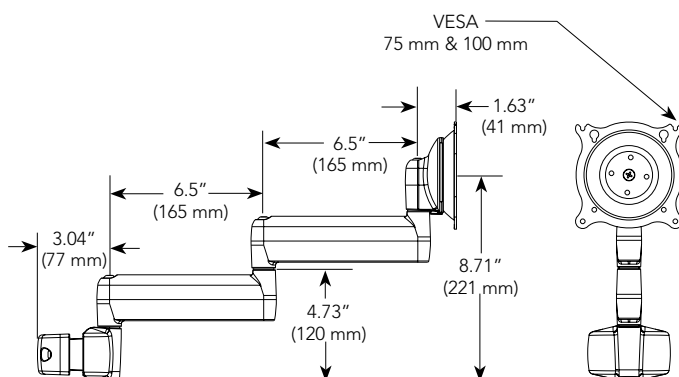


KPS110
Single Swing Arm Pole Mount



KPP110
Pivot/Tilt Pole Mount

TECHNICAL DRAWINGS



RECOMMENDED ACCESSORIES



KSA1003 ■ Extension Arm
– Maximum of 3 arms
– Weight capacity is reduced to 30 lbs (13.6 kg)



KSA1007 ■ Centris Quick-Connect Interface

For a complete list of monitor mount accessories see page 123.