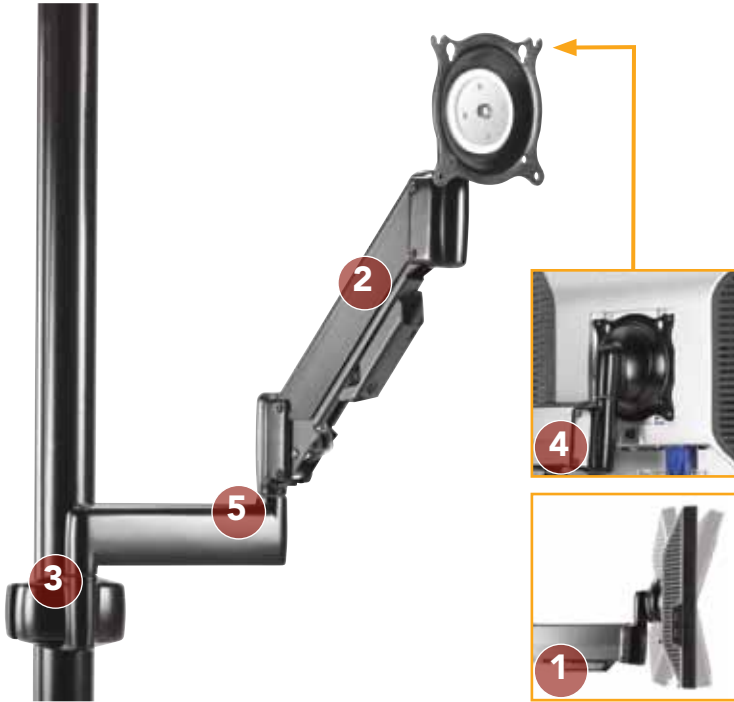




POLE MONITOR MOUNTS KPG110 ■ DUAL ARM HEIGHT-ADJUSTABLE



FEATURES

- 1 CENTRIS® TECHNOLOGY**
PATENTED FEATURE
Provides smooth fingertip tilt in all directions using the screen's center of gravity. Screen angle stays set until you decide to readjust.
- 2 FINGERTIP HEIGHT ADJUSTMENT**
Adjust viewing height up to 13.25" (337 mm). Optimize height adjustment for any display with customizable tension.
- 3 FLEXIBLE INSTALLATION**
Allows installation on pre-existing poles. Ships fully assembled.
- 4 ADVANCED DISPLAY MOUNTING**
Teardrop hole pattern makes mounting the screen quick and easy.
- 5 ULTIMATE FLEXIBILITY**
Maximum range of motion from low profile to full extension.

WHAT YOU NEED TO KNOW

OTHER PRODUCT OPTION



KPV110
Single Arm Height-Adjustable Pole Mount

SPECIFICATIONS

Depth from Pole	2.13" (56 mm)
Max. Extension	19.5" (495 mm)
Height Adjustment	13.25" (337 mm)
Tilt	±15°
Weight Capacity	5-25 lbs (2.3 - 11.4 kg)
Pole Outer Diameter Range	1.5-2" (38 - 51 mm)
Colors	Black, Silver

RECOMMENDED ACCESSORIES

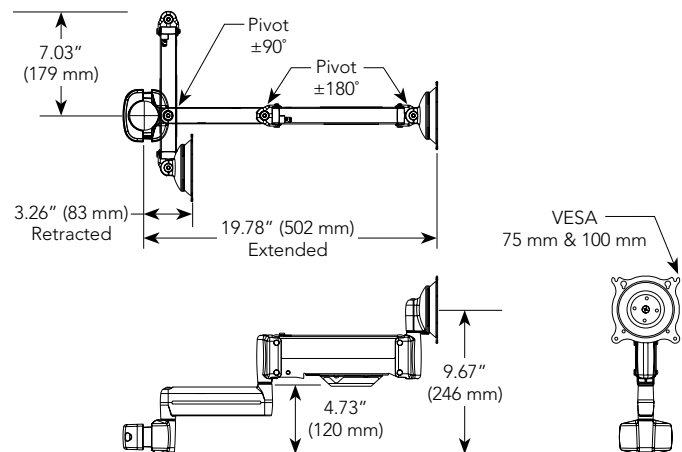


KSA1003 ■ Extension Arm
– Maximum of three arms
– Weight capacity is reduced to 30 lbs (13.6 kg)



KSA1007 ■ Centris Quick-Release Interface

TECHNICAL DRAWINGS



For a complete list of monitor mount accessories see page 123.