



CPU MONITOR MOUNTS KSA1020 CPU WALL/DESK MOUNT



FEATURES

- 1 Q-LATCH® MOUNTING SYSTEM**
Flat panel secures to mount with a latching flag. Easy to connect/disconnect – no tools needed!
- 2 MULTIPLE INSTALLATIONS**
Vertical wall mounting; vertical and horizontal desk mounting with swivel.
- 3 ADJUSTABLE DESIGN**
Adjustable to fit ultra-small form factor CPUs to tower desktop computers.
- 4 TOOL-LESS ADJUSTMENT**
Ergonomic knobs used for CPU adaptability.

WHAT YOU NEED TO KNOW

ABOUT KSA1020

- Ships with all mounting hardware
- Desk mounting with swivel for easy cable access

OTHER PRODUCT OPTION



KSA1023
Low-Profile CPU Wall/Desk Mount

SPECIFICATIONS

Max. CPU Depth	0-7.5" (0 - 191 mm)
Max. CPU Height	9.75-18" (248-457 mm)
Weight Capacity	40 lbs (18.1 kg)
Colors	Black

RECOMMENDED ACCESSORIES

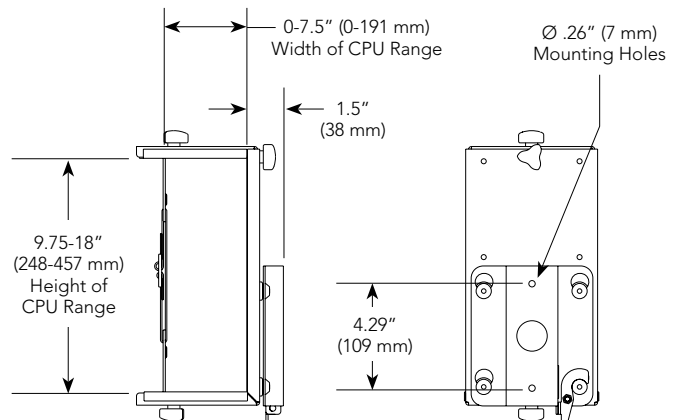


KWG110 ■ Height-Adjustable Dual Arm Wall Mount



KWK110 ■ Height-Adjustable Keyboard Wall Mount

TECHNICAL DRAWINGS



For a complete list of monitor mount accessories see page 123.