



FEATURES

- 1 CENTRIS® TECHNOLOGY**
PATENTED FEATURE
Provides smooth fingertip tilt in all directions using the screen's center of gravity. Screen angle stays set until you decide to readjust.
- 2 ADVANCED DISPLAY MOUNTING**
Teardrop hole pattern makes mounting the screen quick and easy.
- 3 INDEPENDENT ADJUSTMENT**
Adjust each screen independently for ergonomic alignment.
- 4 CABLE MANAGEMENT**
Conceal and protect cables using snap-on covers and cable clip.
- 5 STABLE CLAMP**
Heavy-duty, solid steel desk clamp and oversized pole for unmatched stability.

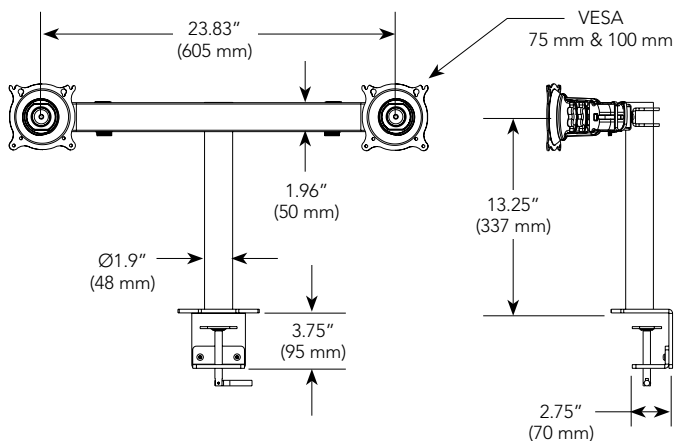


SPECIFICATIONS

Pole Height	14" (356 mm)
Max. Width Per Monitor	22.7" (577 mm)
Max. Height Per Monitor	26" (660 mm)
Tilt	±15°
Weight Capacity Per Monitor*	35 lbs (15.9 kg)
Desk Thickness	0 - 3.25" (0 - 83 mm)
Colors	Black, Silver

* Weight capacity given for KTC220. See www.chiefmfg.com for more information on other product options.

TECHNICAL DRAWINGS



WHAT YOU NEED TO KNOW

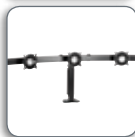
OTHER PRODUCT OPTIONS



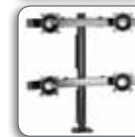
KTC225
Widescreen Dual Desk Clamp



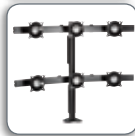
KTC230
Dual Vertical Desk Clamp



KTC320 / KTC325
Triple Horizontal Desk Clamp (standard/widescreen)



KTC440 / KTC445
Quad Monitor Desk Clamp (standard/widescreen)



KTC330
Six Monitor Desk Clamp

RECOMMENDED ACCESSORIES



KSA1007 ■ Centris Quick-Connect Interface



KTA1001 ■ Array Connector



KTA1028 ■ 28" (711 mm) Extension Column

For a complete list of monitor mount accessories see page 123.