



FEATURES

- 1 CENTRIS® TECHNOLOGY**
PATENTED FEATURE
Provides smooth fingertip tilt in all directions using the screen's center of gravity. Screen angle stays set until you decide to readjust.
- 2 ADVANCED DISPLAY MOUNTING**
Teardrop hole pattern makes mounting the screen quick and easy.
- 3 STABLE BASE**
Heavy-duty, solid steel base and oversized pole for unmatched stability.
- 4 INDEPENDENT ADJUSTMENT**
Position each screen separately for ergonomic, horizontal alignment.
- 5 CABLE MANAGEMENT**
Conceal and protect cables using snap-on covers and cable clips.



SPECIFICATIONS

Pole Height	14" (356 mm)
Max. Width Per Monitor	22.7" (577 mm)
Max. Height Per Monitor	26" (660 mm)
Tilt	±15°
Weight Capacity Per Monitor*	35 lbs (15.9 kg)
Colors	Black, Silver

* Weight capacity given for KTP220.
See www.chiefmfg.com for more information on other product options.

WHAT YOU NEED TO KNOW

OTHER PRODUCT OPTIONS



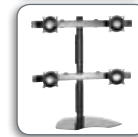
KTP225
Widescreen Dual Table Stand



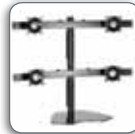
KTP230
Dual Vertical Table Stand



KTP320 / KTP325
Triple Horizontal Table Stand (standard/widescreen)

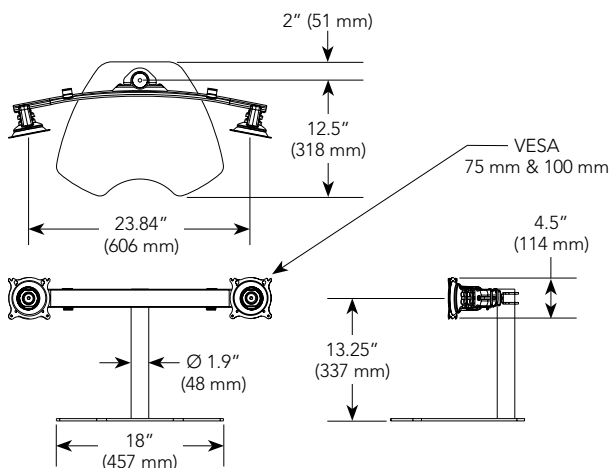


KTP440 / KTP445
Quad Monitor Table Stand (standard/widescreen)



KTP445
Widescreen Quad Monitor Table Stand

TECHNICAL DRAWINGS



RECOMMENDED ACCESSORIES



KSA1007 ■ Centris Quick-Connect Interface



KTA1000 ■ Grommet Bolt Through Accessory



KTA1001 ■ Array Connector

For a complete list of monitor mount accessories see page 123.