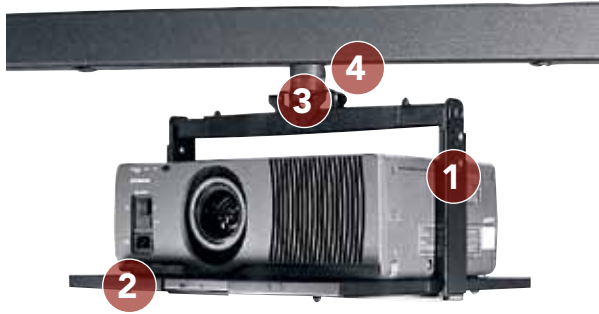




CEILING MOUNTS LCDA □ NON-INVERTED UNIVERSAL MOUNT



FEATURES

- 1 INDEPENDENT ROLL, PITCH AND YAW**
For quick and precise projector registration.
- 2 ADJUSTABLE TRAY**
Accommodates a wide variety of projectors. No interface bracket required.
- 3 CABLE MANAGEMENT**
Route cables through top of mount without additional accessories.
- 4 MULTIPLE INSTALLATION OPTIONS**
Mounting options include: flush mount to ceiling, use 0.25" (6.35 mm) threaded rods or use a 1-1/2" NPT threaded extension column.

WHAT YOU NEED TO KNOW

CHOOSE FROM 5 LCDA MODELS

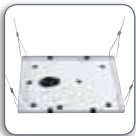
LCDA Model	A - Max Height	B - Max Width	C - Tray Depth
LCDA215C	3.33" - 4.25" (84 - 112 mm)	7.63" - 12.6" (194 - 320 mm)	8" (203 mm)
LCDA220C	7.69" - 13.4" (196 - 340 mm)	8.63" - 11.5" (219 - 292 mm)	17.75" (450 mm)
LCDA225C	10.8" - 16" (196 - 340 mm)	8.63" - 11.5" (219 - 292 mm)	17.75" (450 mm)
LCDA230C	7.69" - 13.4" (196 - 340 mm)	12.69" - 23.25" (324 - 591 mm)	17.75" (450 mm)
LCDA240C	10.8" - 16" (274 - 419 mm)	14.13" - 19.6" (358 - 498 mm)	22.25" (565 mm)

SPECIFICATIONS

Roll	±5°
Pitch	±90°
Yaw	360°
Dimensions* (HxWxD)	Varies per model
Color	Black
Weight Capacity	50 lbs (22.7 kg)

* Tray width of LCDA240C is not adjustable.
Adjustments are for the side panels only.
Tray is a fixed 12.5" (317 mm) wide

RECOMMENDED ACCESSORIES



CMS SUSPENDED CEILING KITS



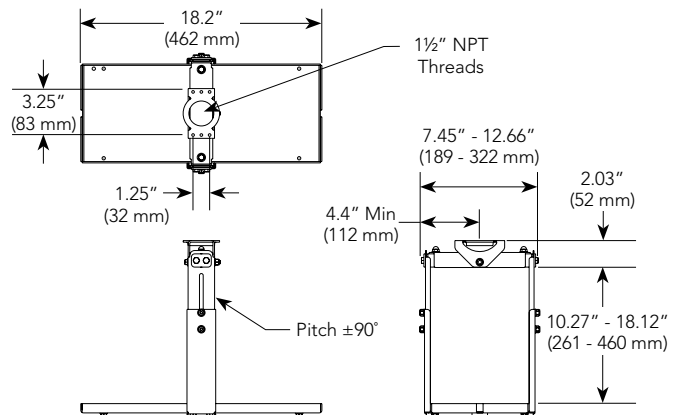
CMS EXTENSION COLUMNS



CMA250 □ Flush Mount Kit

For a complete list of projector mount accessories see page 21.

TECHNICAL DRAWINGS



* LCDA225C shown