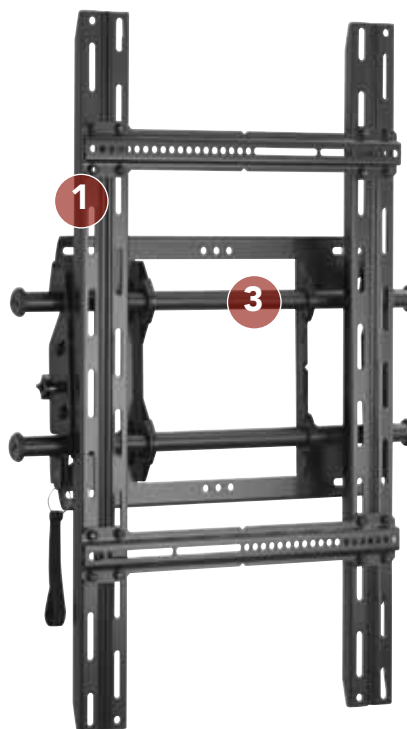




FEATURES

- 1 PORTRAIT INSTALLATION**
Enables vertical positioning of flat panel display, ideal for digital signage applications.
- 2 CENTRIS® LOW-PROFILE TILT**
Centris fingertip tilt technology uses the center of gravity to balance the screen while maintaining a low profile under 2.6" deep! Screen angle stays set in place until readjusted.
- 3 POST-INSTALLATION LATERAL SHIFT**
Provides up to 11.5" of post-installation lateral shift – 5.75" left/right of uprights.
- 4 CLICKCONNECT®**
Hear an audible click when the screen safely engages with the mount. A built-in cable stand provides easy access under the screen.

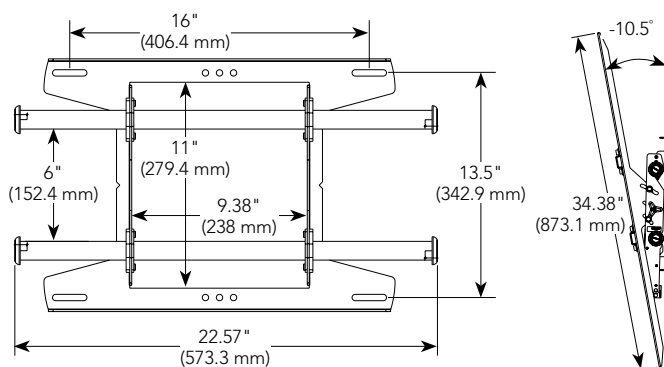


SPECIFICATIONS

Depth from Wall	2.56" (65 mm)
Tilt*	-10.5°
Max Lateral Shift	11.5" (292 mm)
Mounts on Studs	16" centers
Dimensions (HxWxD)	34.38" x 22.57" x 2.56" (873 x 573 x 65 mm)
Max Mounting Pattern	20.67" (525 mm), height 31.5" (800 mm), width
Color	Black
Weight Capacity	200 lbs (90.7 kg)

*Varies with screen height.

TECHNICAL DRAWINGS



WHAT YOU NEED TO KNOW

ORDERING OPTIONS

Available in custom and universal.

OTHER PRODUCT OPTIONS



MTAPU
FUSION Portrait Tilt Wall Mount
– For flat panels 32–47"

RECOMMENDED ACCESSORIES



FCA100 ■ CAT 5/Surge CPU Adapter



FCK008 ■ 8" (203 mm) Connector Kit

For a complete list of FUSION accessories see pages 96-97.