



# IN-WALL MOUNTS MAC501 & JWDIW □ IN-WALL BOX & SWING ARM

26–40" LCDs



## FEATURES

- 1 LOW PROFILE**  
Designed to ensure mount remains concealed behind the screen.
- 2 CENTRIS® FINGERTIP TILT**  
**PATENTED FEATURE**  
Provides smooth fingertip tilt in all directions using the screen's center of gravity. Screen angle stays set until you decide to readjust.
- 3 EASY INSTALLATION**  
Center screen at any position on wall between 16" center studs without cutting studs. No header/footer necessary!
- 4 SMOOTH EXTENSION**  
Extends up to 21.2" (538 mm) to achieve ideal viewing angle.

## WHAT YOU NEED TO KNOW

### ORDERING INFORMATION

MAC501 and JWDIW must be ordered separately. Available in universal or custom:

- **UNIVERSAL:** Order MAC501 and JWDIWUB (up to 400 x 400 mm) or JWDIWVB (100 x 100 mm, 200 x 100 mm, 200 x 200 mm, 300 x 200 mm, 400 x 200 mm)
- **CUSTOM:** Order MAC501, JWDIW210B + MSBxxxx  
See MountFinder™ PRO on [www.chiefmfg.com](http://www.chiefmfg.com) for custom MSB model numbers.

## SPECIFICATIONS

Roll	±5°
Tilt	±15°
Swivel*	90° Left/Right
Extension	21.2" (538 mm)
Box Dimensions (HxWxD)	14.5" x 14.5" x 4.2" (368 x 368 x 107 mm)
Color	Black
Weight Capacity	75 lbs (34 kg)

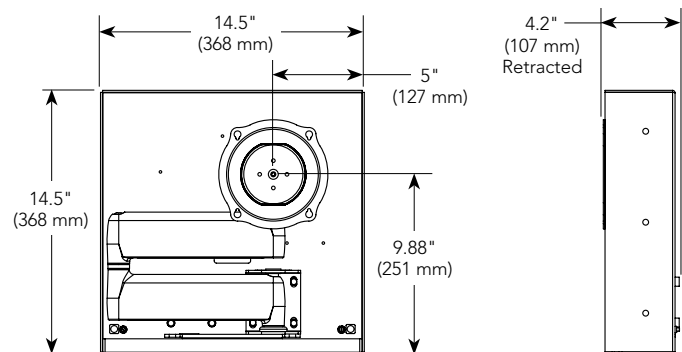
\* With 30" screen. Swivel range varies with screen size.

## RECOMMENDED ACCESSORIES



**PACPC1** ■ Power Filter

## TECHNICAL DRAWINGS



For a complete list of TV mount accessories see page 93.