



FEATURES

- 1 CENTRIS® FINGERTIP TILT**
Effortlessly adjust display using Centris fingertip tilt technology. Screen angle stays set until you decide to readjust.
- 2 TELESCOPING HEIGHT ADJUSTMENT**
Integrated knob provides tool-less telescoping adjustment from 4 ft (120 cm) to 7 ft (210 cm).
- 3 CLICKCONNECT® LATCHING**
Hear an audible click when the screen engages with the mount. Easy to connect/disconnect – no tools needed!
- 4 PORTRAIT/LANDSCAPE CAPABILITY**
Mounts in either portrait or landscape position.
- 5 CABLE MANAGEMENT**
Flexible covers hide cables for a clean installation.



SPECIFICATIONS

Dimensions* (HxWxD)	91.6" x 36" x 30" (232.7 x 91.4 x 76.2 cm)
Height	4 - 7' (120 - 210 cm)
Tilt	±15°
Weight Capacity	125 lbs (56.7 kg)
Colors	Black, Silver

* Dimensions do not include interface bracket

WHAT YOU NEED TO KNOW

ABOUT MF1

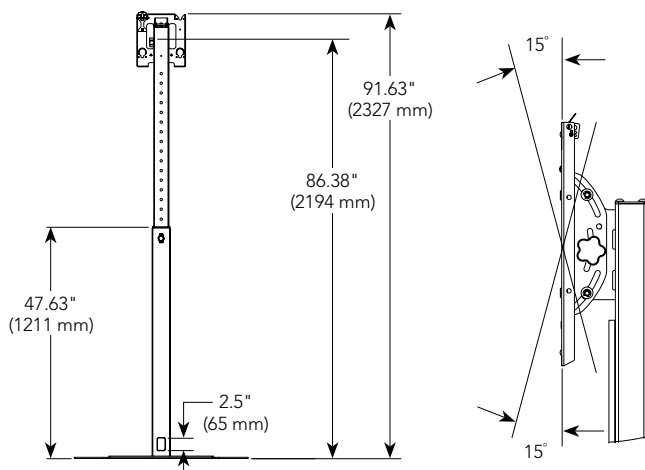
Disassembles with one tool. Designed with lightweight aluminum and steel, its unique flat angled base makes corner positioning easy. Universal interface bracket sold with MF1U, custom interface brackets sold separately with MF1.

OTHER PRODUCT OPTIONS



MF2
Dual Back-to-Back Floor Stand

TECHNICAL DRAWINGS



RECOMMENDED ACCESSORIES



PAC710 ■ Accessory Shelf



MAC720 ■ Dual Display Accessory



PAC715 ■ Video Conferencing Camera Shelf

For a complete list of cart & stand accessories see page 98 - 99.