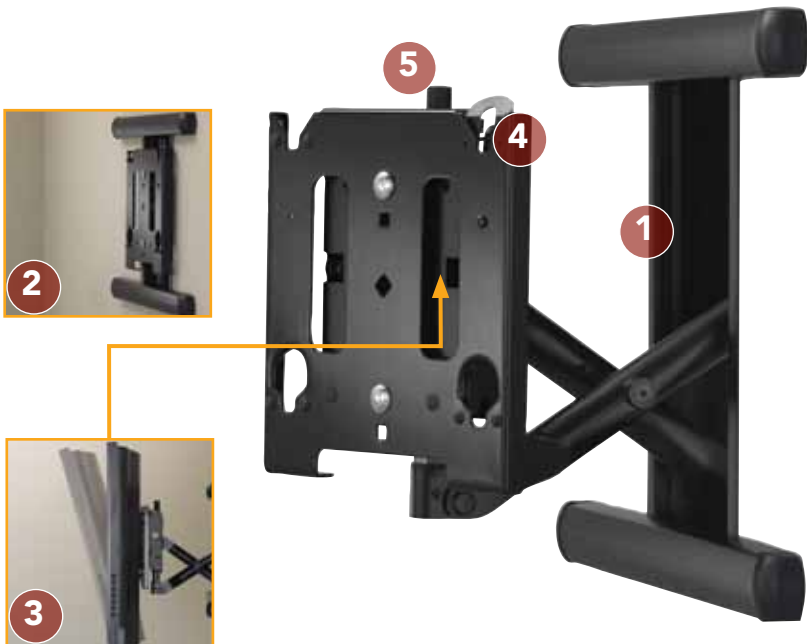




IN-WALL MOUNTS MIWRF □ IN-WALL SWING ARM

30–50" Screens



FEATURES

- 1 LIMITLESS CENTERING**
Center screen at any position on wall between 16" center studs without cutting studs. No header/footer necessary!
- 2 LOW PROFILE**
Designed to ensure mount remains concealed behind the screen.
- 3 CENTRIS® FINGERTIP TILT**
Low-profile design uses the center of gravity to achieve smooth fingertip tilt. Screen angle stays set until you decide to readjust.
- 4 CLICKCONNECT® LATCHING**
Hear an audible click when the screen engages with the mount. Easy to connect/disconnect – no tools needed!
- 5 HEIGHT ADJUSTMENT**
Adjust height up to 1" (25 mm) after mount is installed for ultimate flexibility.

WHAT YOU NEED TO KNOW

ORDERING INFORMATION

The MIWRF kit includes in-wall box with integrated swing arm – no other parts necessary. Available in universal or custom:

- **UNIVERSAL:** Order MIWRFUB
- **CUSTOM:** Order MIWRF6000B + MSB6xxx
See MountFinder™ PRO on www.chiefmfg.com for custom MSB model numbers.

For 42 - 71" screens see PIWRF on page 56.

SPECIFICATIONS

Roll	±2°
Tilt	-15°, +2°
Swivel	37° Left/Right
Extension	9.9" (251 mm)
Height Adjust	±1" (25 mm)
Dimensions* (HxWxD)	17.2" x 20.34" x 5.58" (437 x 517 x 142 mm)
Color	Black
Weight Capacity	125 lbs (56.7 kg)

* Dimensions don't include interface bracket

RECOMMENDED ACCESSORIES



PACHFK1 ■ Header/Footer Kit



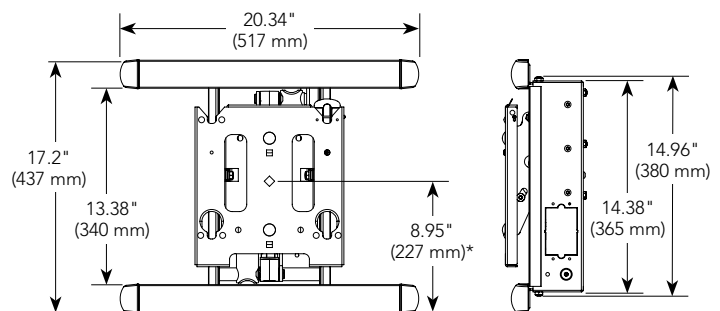
PACCC1/PACCC2 ■ Center Channel Speaker Adapters



PACLR1/PACR2 ■ Left/Right Speaker Adapters

For a complete list of TV mount accessories see page 93.

TECHNICAL DRAWINGS



*Allows ±1" height adjustment