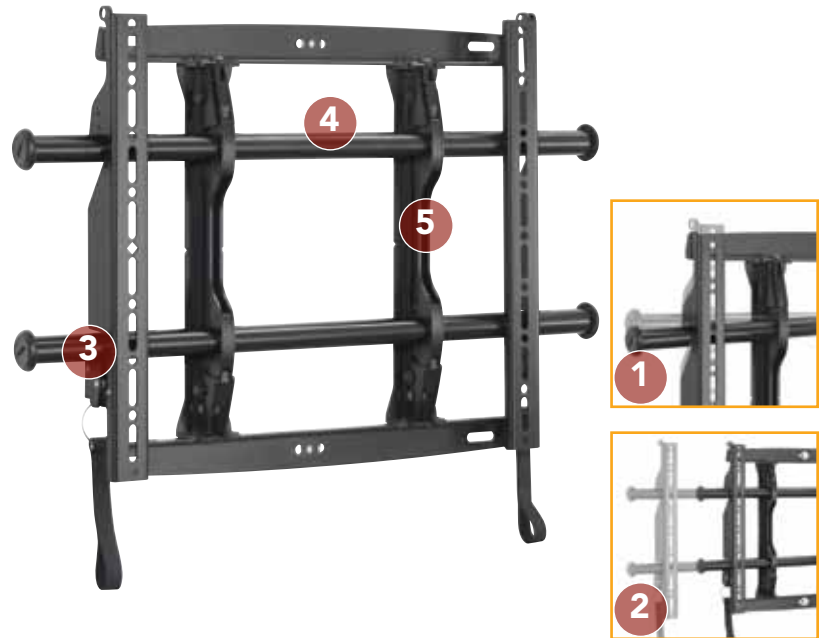




FEATURES

- 1 CONTROLZONE™ LEVELING**
Industry-first feature allows post-installation fine tuning of height and leveling.
- 2 CENTERLESS™ SHIFT**
Provides up to 14.5" of post-installation lateral shift – 7.25" left/right of uprights – for limitless centering capabilities.
- 3 CLICKCONNECT®**
Hear an audible click when the screen safely engages with the mount. A built-in cable stand provides easy access under the screen.
- 4 CUSTOMIZABLE ACCESSORY SYSTEM**
A full line of supporting accessories can be integrated with the mount, extending the same adjustment benefits to the entire configuration.
- 5 MULTIPLE INSTALLATION OPTIONS**
Installation options include: single- or dual-stud mounting on 16" centers.



SPECIFICATIONS

Depth from Wall	1.96" (50 mm)
Max Lateral Shift	14.5" (368 mm)
Dimensions (HxWxD)	16.53" x 25.44" x 1.96" (420 x 646 x 50 mm)
Max Mounting Pattern	15.75" (400 mm), height 25.6" (650mm), width
Weight Capacity	75 lbs (34 kg), single stud 125 lbs (57 kg), dual stud
Color	Black

WHAT YOU NEED TO KNOW

ORDERING OPTIONS

Available in custom and universal.

OTHER PRODUCT OPTIONS

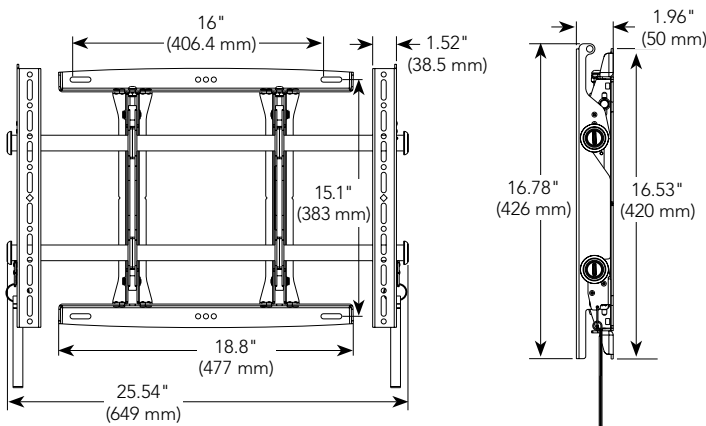


MSA
FUSION Series Wall Mount
– For TVs 26–47"



RMF2
FIT™ Series Low-Profile Hinge Mount
– For TVs 26–42"

TECHNICAL DRAWINGS



RECOMMENDED ACCESSORIES



FCA100 ■ CAT 5/Surge CPU Adapter



FCS100 ■ Single Component Shelf
- below



FVS250 ■ 12" Video Conferencing Shelf
- above

For a complete list of FUSION accessories see pages 96-97.