



FEATURES

- 1 PULL-OUT EXTENSION**
Extends from 3.7" (94mm) to 10.7" (272mm) to allow cable access for installation and servicing of video walls and recessed applications.
- 2 CONTROLZONE™ LEVELING**
Industry-first feature allows post-installation fine tuning of height and leveling for perfect screen alignment.
- 3 CENTERLESS™ SHIFT**
Provides up to 14.5" of post-installation lateral shift – 7.25" left/right of uprights – for limitless centering capabilities and screen alignment.
- 4 CLICKCONNECT®**
Hear an audible click when the screen safely engages with the mount. A built-in cable stand provides easy access under the screen.



SPECIFICATIONS

Extension	7" (178 mm)
Depth from Wall	3.7" (94 mm)
Plumb Adjust	2.5°
Max Mounting Pattern	15.75" (400 mm), height 21.3" (540 mm), width
Weight Capacity	125 lbs (56.7 kg)
Color	Black

WHAT YOU NEED TO KNOW

INSTALLATION AND SECURITY

Allows fine-tuning plumb adjustment to ensure screens are perfectly vertical for a seamless install. For additional security, just add a padlock to the integrated locking latch.

MULTI-SCREEN CONFIGURATION

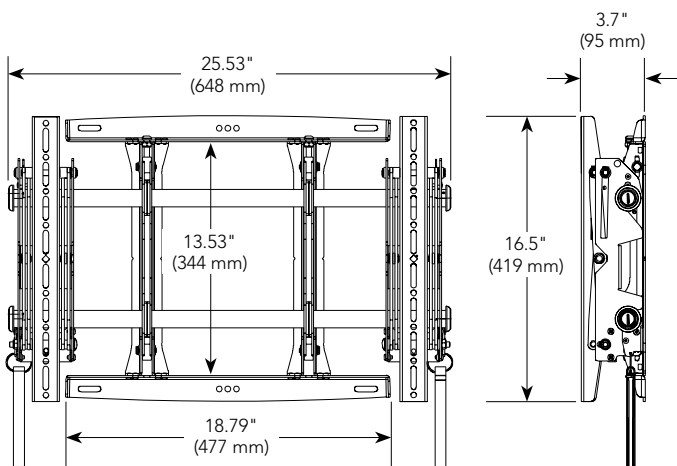
Recommended for 2 x 2 video matrix and larger.

OTHER PRODUCT OPTION



MSMVPU
Portrait Pull-Out Wall Mount

TECHNICAL DRAWINGS



RECOMMENDED ACCESSORIES



FCA100 ■ CAT 5/Surge CPU Adapter

For a complete list of FUSION accessories see pages 96-97.