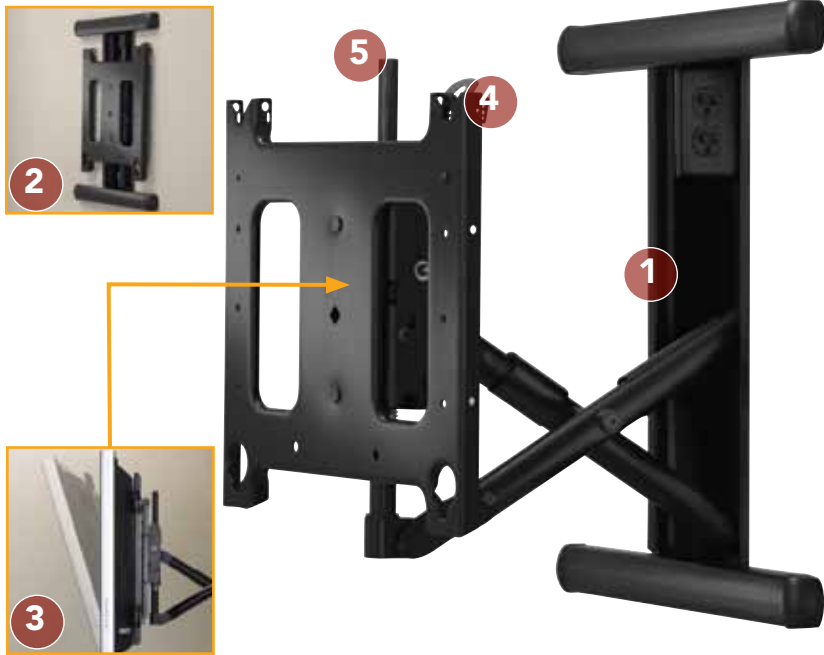




# IN-WALL MOUNTS PIWRF ■ IN-WALL SWING ARM

## 42-71" Screens



### FEATURES

- 1 LIMITLESS CENTERING**  
Center screen at any position on wall between 16" center studs without cutting studs. No header/footer necessary!
- 2 LOW PROFILE**  
Designed to ensure mount remains concealed behind the screen.
- 3 CENTRIS® FINGERTIP TILT**  
Low-profile design uses the center of gravity to achieve smooth fingertip tilt. Screen angle stays set until you decide to readjust.
- 4 CLICKCONNECT® LATCHING**  
Hear an audible click when the screen engages with the mount. Easy to connect/disconnect – no tools needed!
- 5 HEIGHT ADJUSTMENT**  
Adjust height up to 1" (25 mm) after mount is installed for ultimate flexibility.

### WHAT YOU NEED TO KNOW

#### ORDERING INFORMATION

The PIWRF kit includes in-wall box with integrated swing arm – no other parts necessary. Available in universal or custom:

- **UNIVERSAL:** Order PIWRFUB
- **CUSTOM:** Order PIWRF2000B + PSBxxxx  
See MountFinder™ PRO on [www.chiefmfg.com](http://www.chiefmfg.com) for custom PSB model numbers.

For 30 - 50" screens see MIWRF on page 56.

### SPECIFICATIONS

Roll	±2°
Tilt	-15°, +2°
Swivel	40° Left/Right
Extension	15" (381 mm)
Height Adjust	±1" (25 mm)
Dimensions* (HxWxD)	22.82" x 20.34" x 5.54" (580 x 518 x 142 mm)
Color	Black
Weight Capacity	200 lbs (90.7 kg)

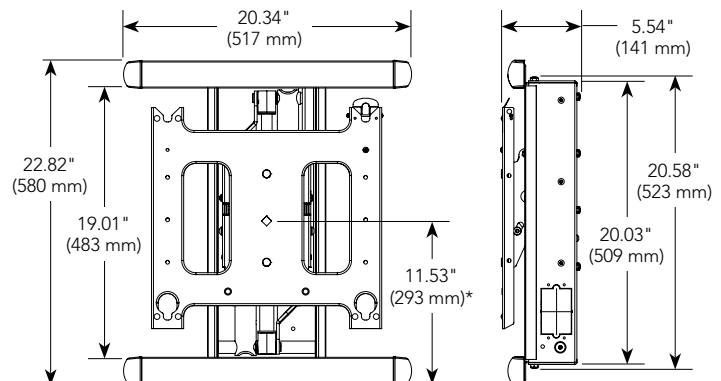
\* Dimensions don't include interface bracket

### RECOMMENDED ACCESSORIES

-  **PACCC1/PACCC2** ■ Center Channel Speaker Adapters
-  **PACL1/PACR2** ■ Left/Right Speaker Adapters
-  **PAC400** ■ 90° Rotation Adapter

For a complete list of TV mount accessories see page 93.

### TECHNICAL DRAWINGS



\*Allows ±1" height adjustment