



CARTS & STANDS PPD □ 32 - 45" DUAL DISPLAY PRESENTERS CART



(PAC150 Video Conferencing Camera Shelf and PAS100 Accessory Shelves not included.)

FEATURES

- 1 HEIGHT ADJUSTABLE**
Adjust height up to 6" (152 mm) for ergonomic alignment.
- 2 Q-LATCH® MOUNTING SYSTEM**
Screen secures to mount with a latching flag. Easy to connect/disconnect – notools needed!
- 3 PORTRAIT/LANDSCAPE CAPABILITY**
Mounts in either portrait or landscape position.
- 4 CABLE MANAGEMENT**
For a clean installation.

WHAT YOU NEED TO KNOW

ORDERING OPTIONS

Available in universal.

OTHER PRODUCT OPTIONS



PPC
42 - 61" Presenters Cart

SPECIFICATIONS

Base Dimensions 42.38" x 29.75"
(WxD) (107.7 x 75.6 cm)

Max Height 55"
(Center of Screen) (139.7 cm)

Tilt 7.5°

Max Screen 43" per screen
Width (109.2 cm)

Weight Capacity 200 lbs (90.7 kg)

Colors Black

RECOMMENDED ACCESSORIES

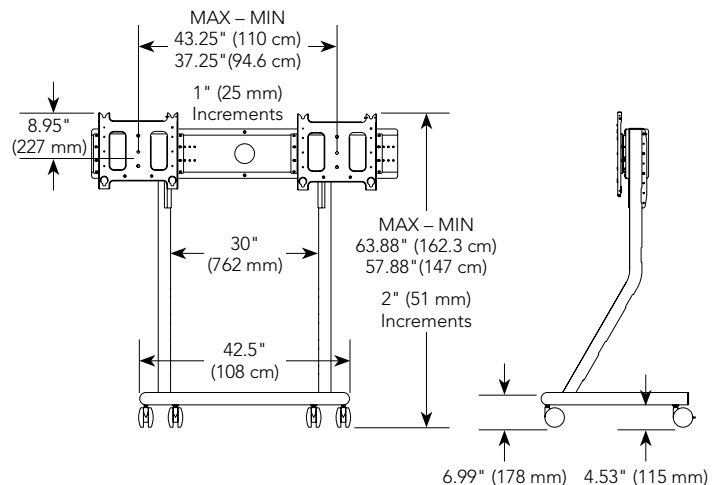


PAC715 ■ Video Conferencing Camera Shelf



PAS100 ■ Accessory Shelf

TECHNICAL DRAWINGS



For a complete list of cart & stand accessories see page 98 - 99.