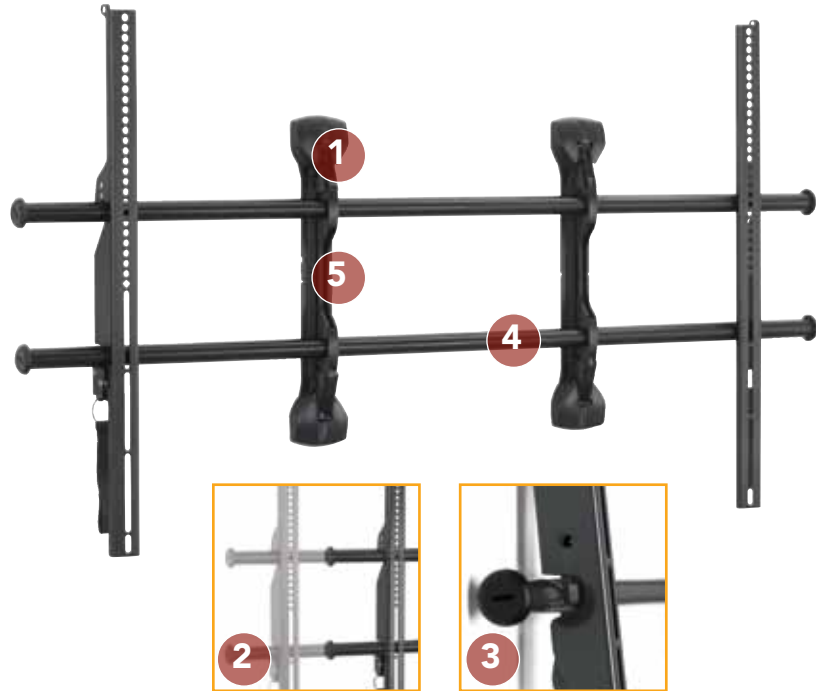




FIXED WALL MOUNTS XSM 55 - 75" MICRO-ADJUSTABLE MOUNT

FUSION® SERIES



FEATURES

- 1 CONTROLZONE™ LEVELING**
Industry-first feature allows post-installation fine tuning of height and leveling, up to 0.5" adjustment up or down.
- 2 CENTERLESS™ SHIFT**
Provides up to 23.5" of post-installation lateral shift – 11.75" left/right of uprights.
- 3 CLICKCONNECT®**
Hear an audible click when the screen safely engages with the mount. A built-in cable stand provides easy access under the screen.
- 4 CUSTOMIZABLE ACCESSORY SYSTEM**
A full line of supporting accessories can be integrated with the mount, extending the same adjustment benefits to the entire configuration.
- 5 MULTIPLE INSTALLATION OPTIONS**
Can be installed on 24" on-centers up to 48".
For 16" on-centers, span 3 studs.

WHAT YOU NEED TO KNOW

OTHER PRODUCT OPTIONS



RXF2
FIT™ Series Low-Profile Hinge Mount
– For TVs 40–63"



PSMH
Heavy-Duty, Custom Fixed Wall Mount
– For TVs over 60", weight cap. varies per custom model

SPECIFICATIONS

Depth from Wall	1.96" (50 mm)
Max Lateral Shift	23.5" (597 mm)
Dimensions (HxWxD)	16.5" x 48.44" x 1.96" (41.9 x 123 x 5 cm)
Max Mounting Pattern	25.98" (660 mm), height 48.23" (1225 mm), width
Weight Capacity	250 lbs (113 kg)
Color	Black

RECOMMENDED ACCESSORIES



FLR100 ■ Left/Right Speaker Adapters



FCC100 ■ Center Channel Speaker Adapters



FCS100 ■ Single Component Shelf
- below

For a complete list of FUSION accessories see pages 96-97.

TECHNICAL DRAWINGS

