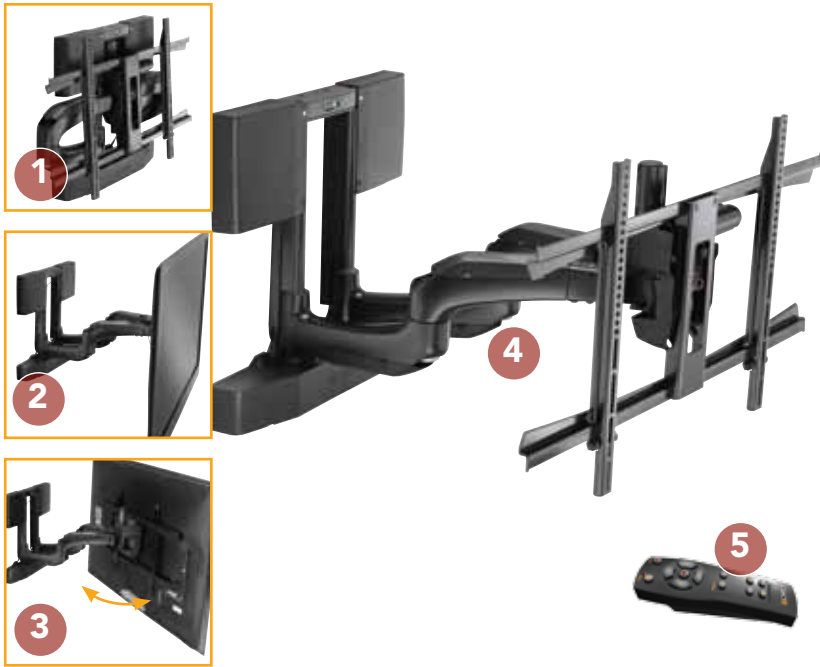




# SWING ARM MOUNTS PXRU □ 32 - 65" AUTOMATED SWING ARM



## FEATURES

- 1 LOW PROFILE**  
Collapses to 4.46" (113 mm), concealing the mount behind the screen.
- 2 EXTENDS UP TO 27" (685 mm)**  
Full extension maximizes viewing potential.
- 3 SMOOTH TILT & SWIVEL**  
Provides up to 90° of swivel and up to 12° of tilt for optimal viewing.
- 4 CABLETRAC™ SYSTEM**  
Improved cable management channels provide quick and easy cable routing.
- 5 IR REMOTE**  
Includes 4 programmable preset buttons.

## WHAT YOU NEED TO KNOW

### MULTIPLE CONTROL OPTIONS

Choose from IR remote control (included) or control using RS485 protocol (AMX™/Crestron™ compatible).

### POWER SUPPLY

100-250 VAC, 50/60 Hz

### MOUNTING PATTERN RANGE

120 x 120 up to 700 x 450mm

### SHIPS FULLY ASSEMBLED

### UL TESTING IN PROGRESS

Certification testing is in progress so the PXRU is currently not UL approved. Check the product page at [www.chiefmfg.com](http://www.chiefmfg.com) for the status of UL certification.

## SPECIFICATIONS

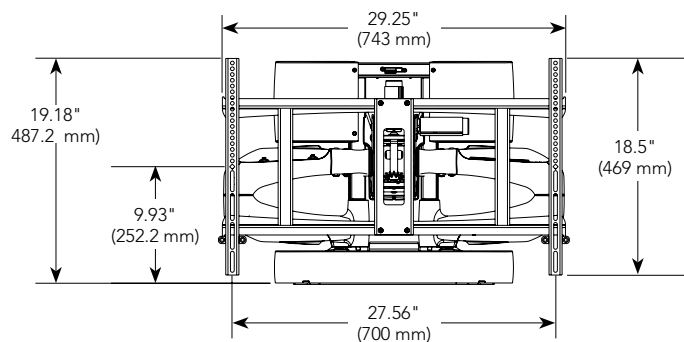
Extension	27" (686 mm)
Tilt	-12°
Dimensions (HxWxD)	17.75 x 27.6 x 4.5" (450 x 700 x 114 mm)
Max Mounting Pattern	17.75" (450 mm), height 27.6" (700 mm), width
Color	Black
Weight Capacity	150 lbs (68 kg)

## INSTALLATION APPLICATION



**PAC502B** ■ In-Wall Box Accessory

## TECHNICAL DRAWINGS



For a complete list of TV mount accessories see page 93.