



FEATURES

- CUSTOMIZABLE SOLUTION**
Mix and match a variety of components to configure a custom solution, tailored to your specific needs.
- 1 INTEGRATED CABLE MANAGEMENT**
Easily route cables from monitors, CPUs and other components through integrated cable channels for a professional appearance.
- HEIGHT ADJUSTABLE**
Provides 4'-6' range of tool-free height adjustment for perfect component positioning and ergonomic alignment.
- 2 HEAVY-DUTY WORK SURFACE**
Large, heavy-duty work surface supports a variety of audio peripherals.



QMP1PK1B shown.

PRECONFIGURED PACKAGES

Model	Finish	Includes
QMP1PK1B	Ebony Fleck	QMP1MB, Mobile Base QMP1C, CPU Mount QMP1MM1, Single Monitor Mount
QMP1PK1H	Mahogany	QMP1T(B/H), Table Top QMP1K(B/H), Keyboard Tray

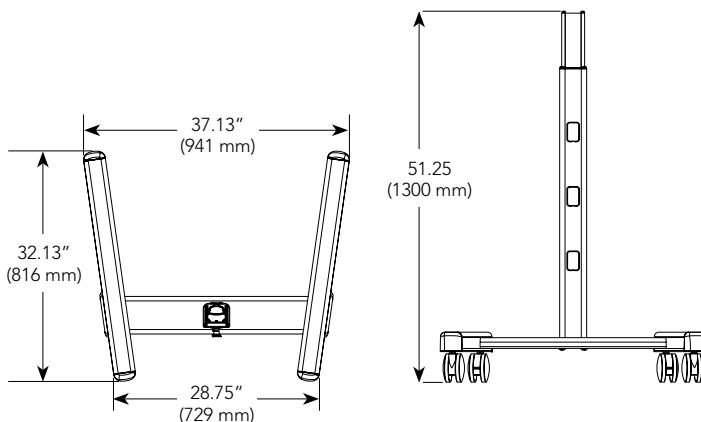
KIT ORDERING OPTIONS

Create your own custom configuration. Start with the Mobile Base, and add on accessories. See page 179 for a complete list of accessory options.



Model	Finish	Description
QMP1MB	Ebony Fleck	Mobile Base

TECHNICAL DRAWINGS



RECOMMENDED ACCESSORIES



QMP1MK ■ Music Keyboard Stand



QMP1L ■ Laptop Mount



QMP1MM2 ■ Dual Monitor Mount

For a complete list of rack accessories see page 174.