



FEATURES

- 1 INDEPENDENT ROLL, PITCH AND YAW**
For quick and precise projector registration.
- 2 QUICK CONNECT/DISCONNECT**
Convenient lamp and filter access on most projectors. Disconnecting maintains registration and doesn't affect pre-set adjustments.
- 3 CABLE MANAGEMENT**
Route cables through top of mount without additional accessories.
- 4 MULTIPLE INSTALLATION OPTIONS**
Mounting options include: flush mount to ceiling, use 0.25" (6.35 mm) threaded rods or use a 1-1/2" NPT threaded extension column.
- 5 COMPLETE SECURITY**
Universal mounting interface with secured mounting points for high-risk environments.



SPECIFICATIONS

Roll	±4°
Pitch	±25°
Yaw	360°
Dimensions* (HxWxD)	3.4" x 16.2" x 12.1" (86 x 411 x 307 mm)
Color	Black, White
Weight Capacity	50 lbs (22.7 kg)

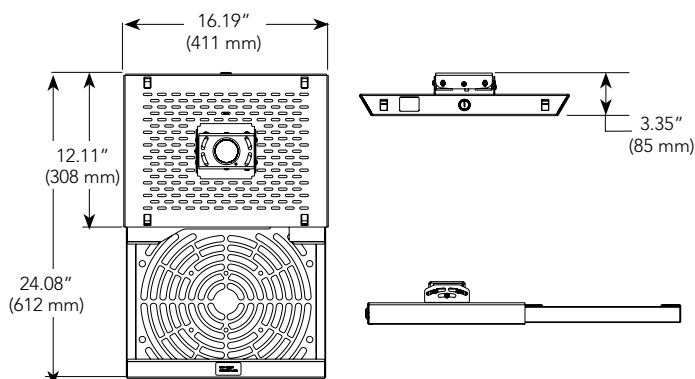
* Dimensions don't include interface bracket

WHAT YOU NEED TO KNOW

ABOUT RPAA1

- Industry-leading RPA Series with independent roll, pitch and yaw
- No tamper resistant hardware required
- Universal interface and also supports optional custom SLBs
- Compatible with a wide array of accessories
- Ships fully assembled with everything you need for installation in one box
- Keyed locking options (A/B/C)

TECHNICAL DRAWINGS



RECOMMENDED ACCESSORIES



CMS SUSPENDED CEILING KITS



CMS EXTENSION COLUMNS



PMSC ■ Security Cables

For a complete list of projector mount accessories see page 21.