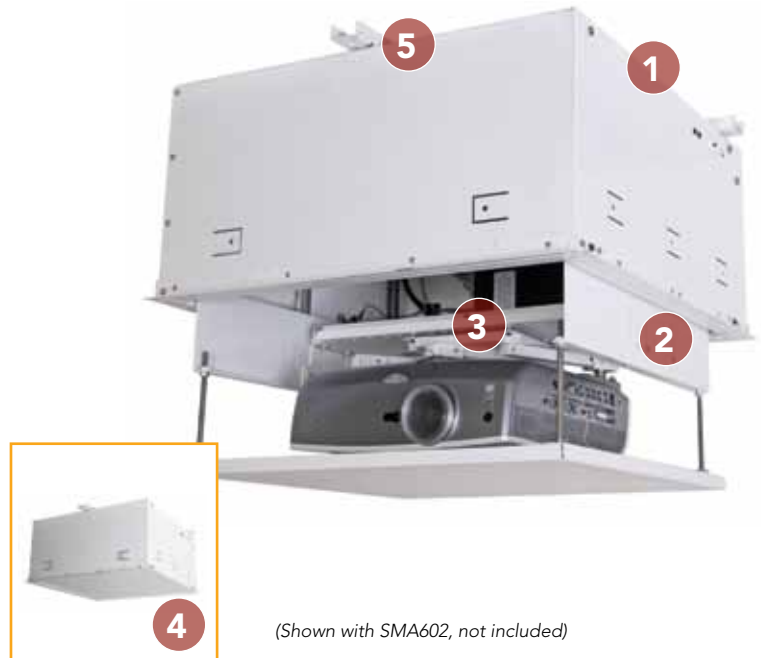




## FEATURES

- 1 DROP-IN DESIGN**  
New design fits 2 x 2' (600 x 600 mm) tiles without modification.
- 2 PRECISE POSITIONING**  
Vertical projector cradle adjustment and fore/aft projector positioning.
- 3 QUICK CONNECT/DISCONNECT**  
Convenient lamp/filter access, maintains registration even when disconnected.
- 4 LOW PROFILE**  
Requires 11" (279 mm) clearance above ceiling. Provides 8.25" (210 mm) of downward travel.
- 5 MULTIPLE INSTALLATION OPTIONS**  
Mounting options include: Three 0.38" (10 mm) threaded rods, 1-1/2" NPT threaded extension column with SMA602 accessory, and side mounting with built-in joist tabs.



## SPECIFICATIONS

Extension	8.5" (216 mm)
Max Projector Size (HxWxD)	8.38 x 18 x 18.25" (213 x 457 x 464 mm)
Ceiling Opening (HxWxD)	11.25 x 24 x 24" (286 x 600 x 600 mm)
Ceiling Closure (WxD)	20.25 x 20.25" (514 x 514 mm)
Roll/Pitch/Yaw	±2°, ±20°, ±5°
Weight Capacity	35 lbs (15.9 kg)
Color	White

## WHAT YOU NEED TO KNOW

### MULTIPLE CONTROL OPTIONS

Choose from single momentary push button, low voltage controller and internal and external wiring options. Also accepts 5–30V AC/DC for triggering commands. AMX/Crestron control compatibility.

### VOLTAGE OPTIONS

120VAC, 60Hz, 12A. For 230V order the SL151i (230VAC, 50Hz, 2A).

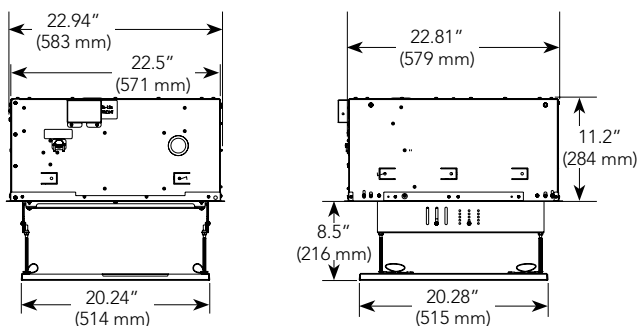
### FLEXIBLE INSTALLATION

Independent roll, pitch and yaw

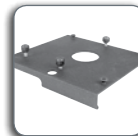
### WIRE MORE THAN ONE DEVICE



## TECHNICAL DRAWINGS



## RECOMMENDED ACCESSORIES



**SLB** ■ Projector Interface Bracket (required)



**IR10** ■ Infrared Remote Control

For a complete list of automated projector mount accessories see page 30.