

FEATURES

- 1 EXTENDED TRAVEL**
Requires only 11" (279 mm) of clearance above ceiling for 36" (91.4 mm) of downward travel with three stopping positions.
- 2 PRECISE POSITIONING**
Vertical projector cradle adjustment and fore/aft, left/right projector positioning.
- 3 QUICK CONNECT/DISCONNECT**
Convenient lamp and filter access on most projectors. Maintains registration even when disconnected.
- 4 MULTIPLE INSTALLATION OPTIONS**
Mounting options include: Three 0.38" (10 mm) threaded rods with SMA651 accessory, 1-1/2" NPT threaded extension column with SMA601 accessory, side mounting with built-in joist tabs, and by suspending with cables using the SMA651 accessory.

WHAT YOU NEED TO KNOW

MULTIPLE CONTROL OPTIONS

Choose from single momentary push button, low voltage controller and internal and external wiring options. Also accepts 5–30V AC/DC for triggering commands. AMX/Crestron control compatibility.

VOLTAGE OPTIONS

120VAC, 60Hz, 12A. For 230V order the SL236i (230VAC, 50Hz, 2A).

FLEXIBLE INSTALLATION

Independent roll, pitch and yaw

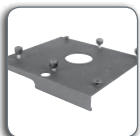
SHIPS FULLY ASSEMBLED



SPECIFICATIONS

Extension	36" (914 mm)
Max Projector Size (HxWxD)	9.25 x 20.5 x 22.75" (235 x 521 x 578 mm)
Ceiling Opening	25.5 x 11.1" (641 x 282 mm)
Ceiling Closure	24 x 24" (610 x 610 mm)
Roll/Pitch/Yaw	±2°, ±15°, ±10°
Weight Capacity	35 lbs (15.9 kg)
Color	White

RECOMMENDED ACCESSORIES

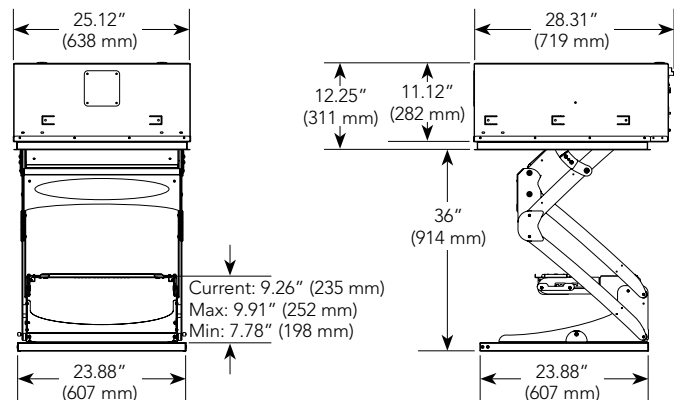


SLB ■ Projector Interface Bracket (required)



IR10 ■ Infrared Remote Control

TECHNICAL DRAWINGS



For a complete list of automated projector mount accessories see page 30.