



## FEATURES

- 1 FINGERTIP TILT**  
Provides smooth fingertip tilt in all directions using the screen's center of gravity. Screen angle stays set until you decide to re-adjust.
- 2 SMOOTH SWIVEL**  
Easily adjust viewing the angle with set swivel range options of 90°, 180° or 270°.
- 3 HEIGHT ADJUSTABLE**  
Provides up to 7" (178 mm) of tool-less vertical adjustment for a flexible installation.
- 4 CABLE MANAGEMENT**  
Easily route and conceal cables through an integrated column channel for a clean finish.
- 5 BOLT-DOWN SECURITY**  
Achieve a secure installation with a bolt-down base to prevent theft.



## SPECIFICATIONS

Height Adjust	7" (178 mm)
Tilt	15° in all directions
Swivel Options	90°, 180°, 270°
Weight Capacity	30 lbs (13.6 kg)
Colors	Black

## WHAT YOU NEED TO KNOW

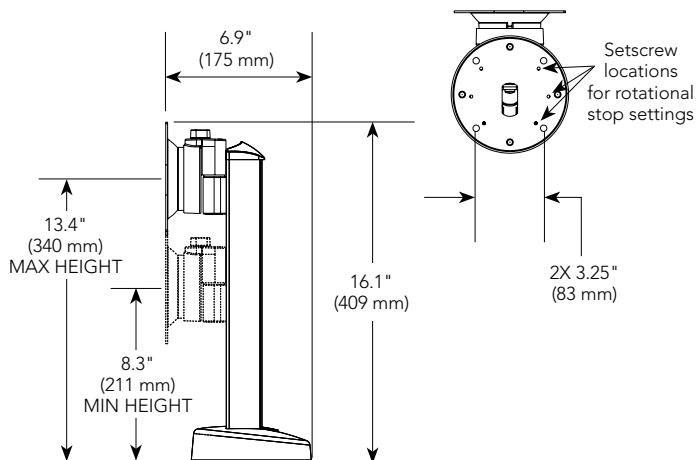
### ABOUT STS1

Compatible with 75 x 75 mm and 100 x 100 mm VESA® patterns.

### APPLICATION RECOMMENDATION

Ideal for point-of-sale and hospitality applications

## TECHNICAL DRAWINGS



## POINT-OF-SALE APPLICATION

