

### FEATURES

- 1 LOW PROFILE**  
Fits snugly against truss or poles for an integrated look.
- 2 PORTRAIT/LANDSCAPE CAPABILITY**  
Mounts in either portrait or landscape position.
- 3 Q-LATCH® MOUNTING SYSTEM**  
Screen secures to mount with a latching flag.  
Easy to connect/disconnect – no tools needed!  
Protect display by adding a padlock.

### WHAT YOU NEED TO KNOW

#### ORDERING OPTIONS

Available in custom and universal.

- TPSU = Universal 37 - 61" (The Universal Interface Bracket [PSBU] will automatically be included.)
- TPSxxxx = Custom (see MountFinder™ Pro at [www.chiefmfg.com](http://www.chiefmfg.com))

#### INSTALLATION RECOMMENDATION

Ideal for tradeshow environments!

### SPECIFICATIONS

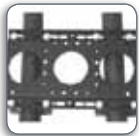
Weight Capacity 150 lbs (68 kg)

Color Black

### RECOMMENDED ACCESSORIES

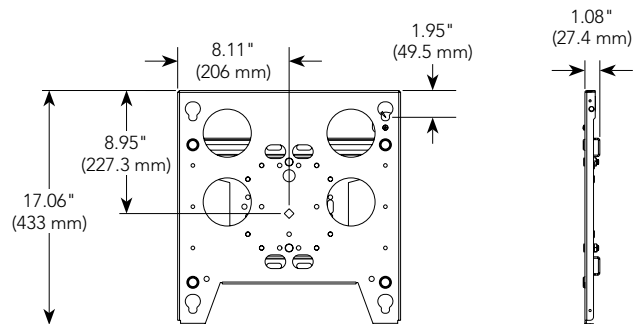


**TPK1/TPK2** Pole Kits (TPK 2 shown)



**TPK3/TPK4/TPK5** Truss Kits (TPK5 shown)

### TECHNICAL DRAWINGS



For a complete list of TV mount accessories see page 93.