



## FEATURES

- 1 LATERAL SHIFT**  
Dual stud design provides up to 10" (254 mm) of lateral shift for quick alignment.
- 2 PRECISION HEIGHT & LEVELING**  
Industry-first micro height and leveling adjustment,  $\pm 3^\circ$ .
- 3 FAST INSTALLATION**  
Innovative quick-connect system.
- 4 VARIABLE EXTENSION OPTIONS**  
Telescoping extension and infinite projector placement make it easy to achieve a picture perfect installation.
- 5 INTEGRATED CABLE MANAGEMENT**  
Fully internal cable management system conceals and protects cables for a clean finish.



(Includes RSMAUS Mini Projector Mount)



## SPECIFICATIONS

Extension	29.5 - 54.5" (74.9 - 138.4 cm)
Pitch	$\pm 3^\circ$
Lateral Shift	10" (254 mm)
Dimensions (HxWxD)	11.53 x 19.63 x 58.37" (29 x 50 x 148.3 cm)
Weight Capacity	25 lbs (11.3 kg)
Color	Silver

## WHAT YOU NEED TO KNOW

### ABOUT WM230S

For use with RSA, RPA, RSMA and RPMA projector mounts. For a complete solution order the kit (WM230AUS). Kit includes one short throw wall mount accessory plus one RSMAUS projector mount (see page 7).

### OTHER PRODUCT OPTIONS



#### WM210S / WM210AUS

Wall mount accessory / Kit

- Max. extension 12.75 - 19.5" (32.3 - 49.5 cm)
- Weight Cap. 50 lbs (22.7 kg) / 25 lbs (11.3 kg)

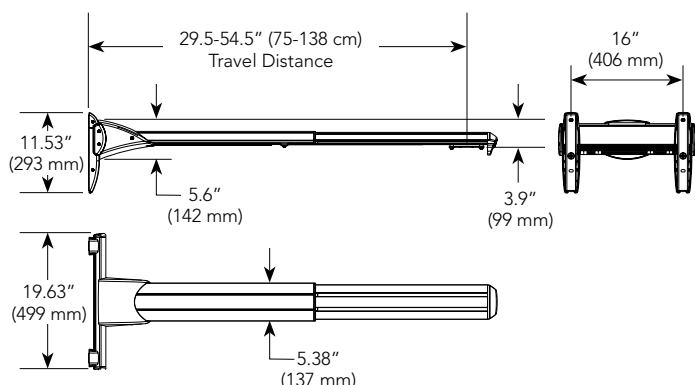


#### WM220S / WM220AUS

Wall mount accessory / Kit

- Max. extension 17.5 - 30.25" (44.4 - 76.8 cm)
- Weight Cap. 50 lbs (22.7 kg) / 25 lbs (11.3 kg)

## TECHNICAL DRAWINGS



## RECOMMENDED ACCESSORY



**WMAL24** ■ 24" (610 mm) Lateral Shift Accessory



**WM2I KIT** ■ Upgrade Kit for Interactive Projector Wall Mount (with Lens Shift)



**WMAC16** ■ Short Throw Wall Cover Accessory

For a complete list of projector mount accessories see page 21.