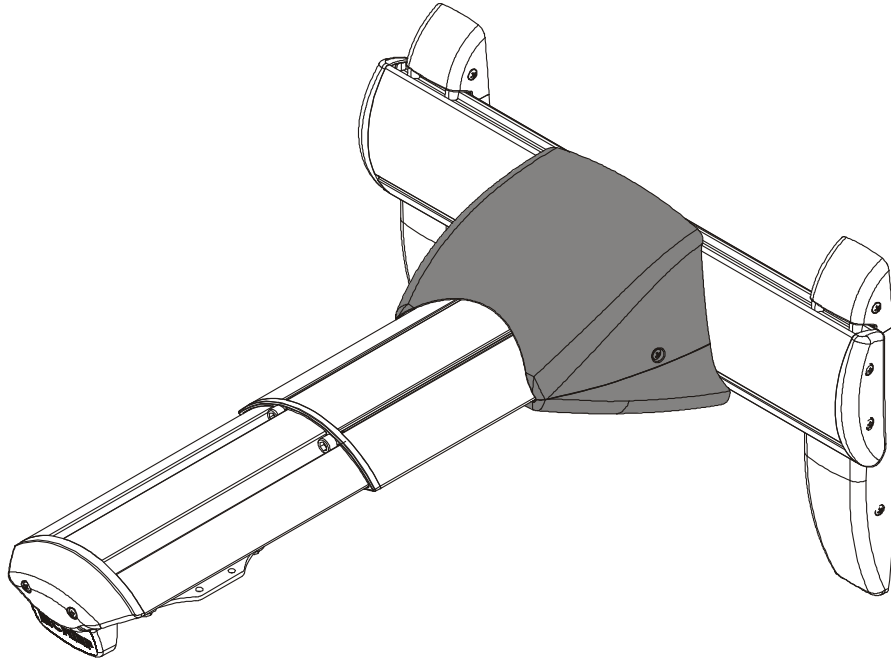

INSTALLATION INSTRUCTIONS



Interactive Short-Throw Upgrade Kit

DISCLAIMER

Milestone AV Technologies and its affiliated corporations and subsidiaries (collectively “Milestone”), intend to make this manual accurate and complete. However, Milestone makes no claim that the information contained herein covers all details, conditions or variations, nor does it provide for every possible contingency in connection with the installation or use of this product. The information contained in this document is subject to change without notice or obligation of any kind. Milestone makes no representation of warranty, expressed or implied, regarding the information contained herein. Milestone assumes no responsibility for accuracy, completeness or sufficiency of the information contained in this document.

Chief® is a registered trademark of Milestone AV Technologies. All rights reserved.

! IMPORTANT SAFETY INSTRUCTIONS!

! WARNING: A WARNING alerts you to the possibility of serious injury or death if you do not follow the instructions.

! CAUTION: A CAUTION alerts you to the possibility of damage or destruction of equipment if you do not follow the corresponding instructions.

! WARNING: Failure to read, thoroughly understand, and follow all instructions can result in serious personal injury, damage to equipment, or voiding of factory warranty! It is the installer’s responsibility to make sure all components are properly assembled and installed using the instructions provided.

! WARNING: Failure to provide adequate structural strength for this component can result in serious personal injury or damage to equipment! It is the installer’s responsibility to make sure the structure to which this component is attached can support five times the combined weight of all equipment. Reinforce the structure as required before installing the component.

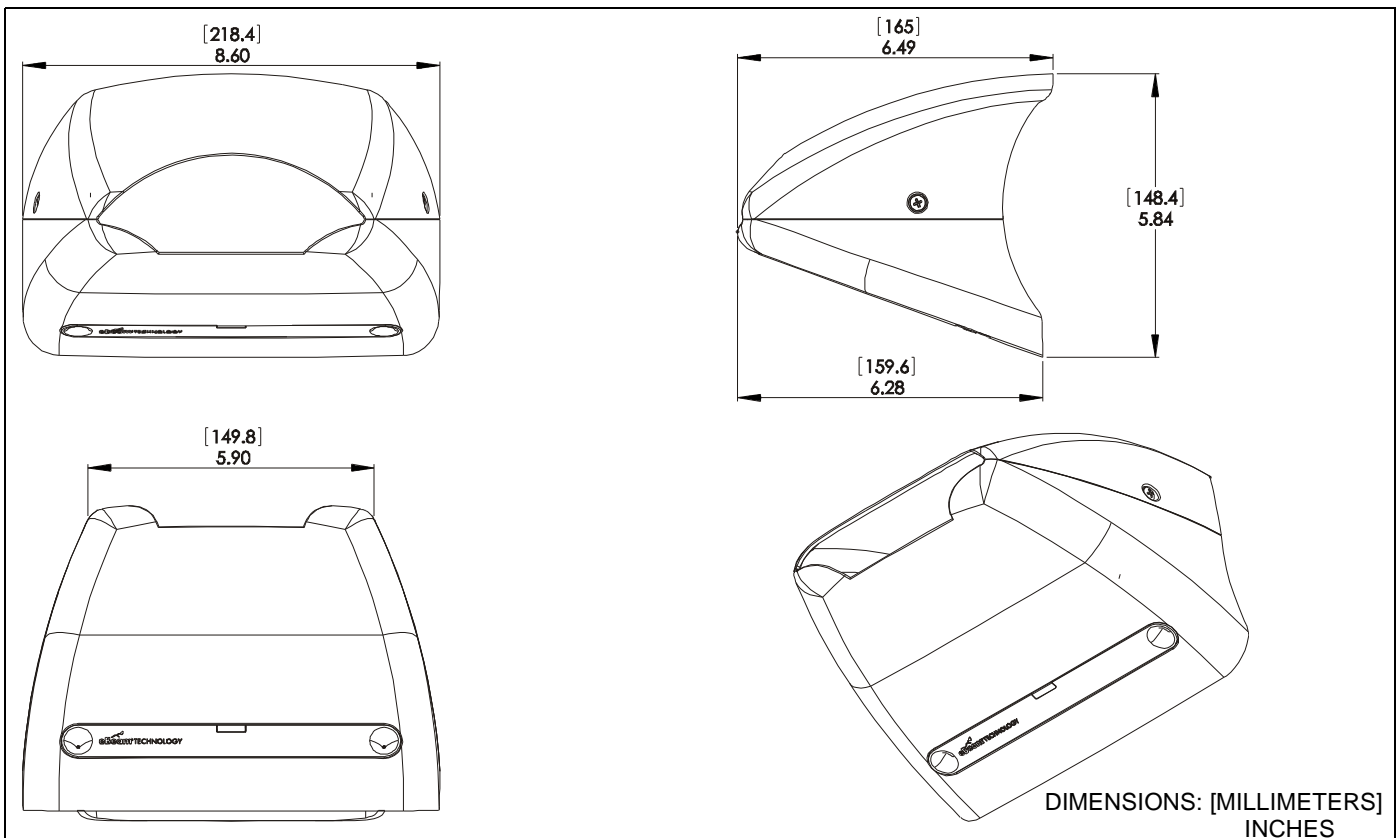
! WARNING: Use this mounting system only for its intended use as described in these instructions. Do not use attachments not recommended by the manufacturer.

! WARNING: Never operate this mounting system if it is damaged. Return the mounting system to a service center for examination and repair.

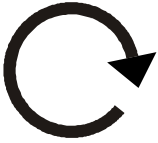

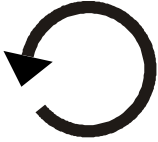


! WARNING: Do not use this product outdoors.

--SAVE THESE INSTRUCTIONS--

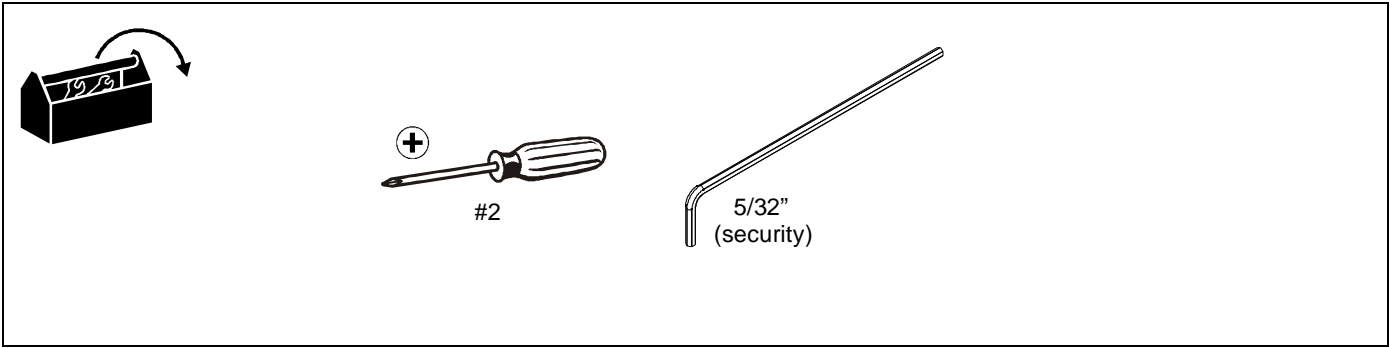
DIMENSIONS



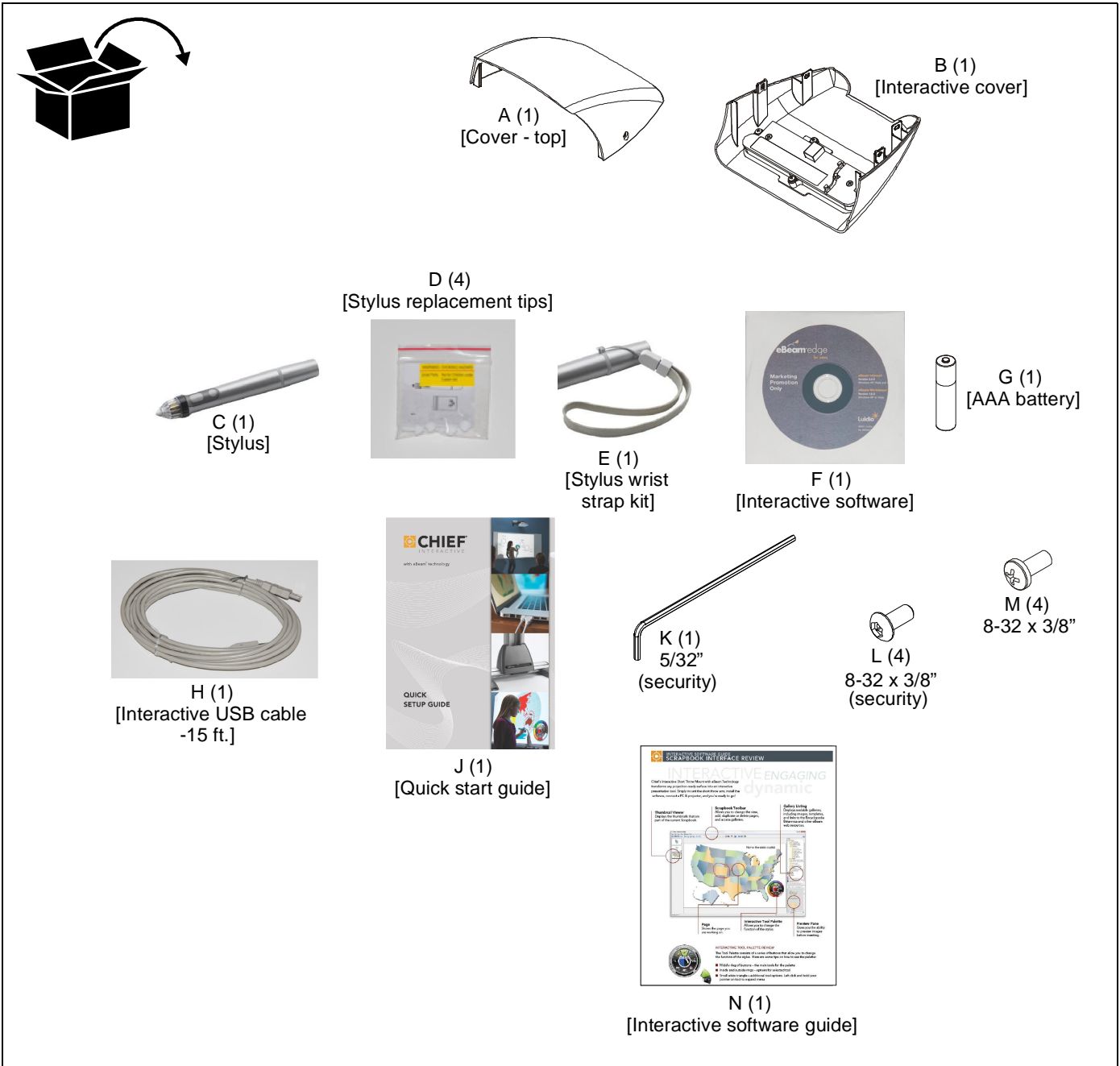
LEGEND

	<table border="1"> <thead> <tr> <th>Tighten Fastener</th> </tr> </thead> <tbody> <tr> <td>Apretar elemento de fijación</td> </tr> <tr> <td>Befestigungsteil festziehen</td> </tr> <tr> <td>Apertar fixador</td> </tr> <tr> <td>Serrare il fissaggio</td> </tr> <tr> <td>Bevestiging vastdraaien</td> </tr> <tr> <td>Serrez les fixations</td> </tr> </tbody> </table>	Tighten Fastener	Apretar elemento de fijación	Befestigungsteil festziehen	Apertar fixador	Serrare il fissaggio	Bevestiging vastdraaien	Serrez les fixations		<table border="1"> <thead> <tr> <th>Phillips Screwdriver</th> </tr> </thead> <tbody> <tr> <td>Destornillador Phillips</td> </tr> <tr> <td>Kreuzschlitzschraubendreher</td> </tr> <tr> <td>Chave de fendas Phillips</td> </tr> <tr> <td>Cacciavite a stella</td> </tr> <tr> <td>Kruiskopschroevendraaier</td> </tr> <tr> <td>Tournevis à pointe cruciforme</td> </tr> </tbody> </table>	Phillips Screwdriver	Destornillador Phillips	Kreuzschlitzschraubendreher	Chave de fendas Phillips	Cacciavite a stella	Kruiskopschroevendraaier	Tournevis à pointe cruciforme
Tighten Fastener																	
Apretar elemento de fijación																	
Befestigungsteil festziehen																	
Apertar fixador																	
Serrare il fissaggio																	
Bevestiging vastdraaien																	
Serrez les fixations																	
Phillips Screwdriver																	
Destornillador Phillips																	
Kreuzschlitzschraubendreher																	
Chave de fendas Phillips																	
Cacciavite a stella																	
Kruiskopschroevendraaier																	
Tournevis à pointe cruciforme																	
	<table border="1"> <thead> <tr> <th>Loosen Fastener</th> </tr> </thead> <tbody> <tr> <td>Aflojar elemento de fijación</td> </tr> <tr> <td>Befestigungsteil lösen</td> </tr> <tr> <td>Desapertar fixador</td> </tr> <tr> <td>Allentare il fissaggio</td> </tr> <tr> <td>Bevestiging losdraaien</td> </tr> <tr> <td>Desserrez les fixations</td> </tr> </tbody> </table>	Loosen Fastener	Aflojar elemento de fijación	Befestigungsteil lösen	Desapertar fixador	Allentare il fissaggio	Bevestiging losdraaien	Desserrez les fixations		<table border="1"> <thead> <tr> <th>By Hand</th> </tr> </thead> <tbody> <tr> <td>A mano</td> </tr> <tr> <td>Von Hand</td> </tr> <tr> <td>Com a mão</td> </tr> <tr> <td>A mano</td> </tr> <tr> <td>Met de hand</td> </tr> <tr> <td>À la main</td> </tr> </tbody> </table>	By Hand	A mano	Von Hand	Com a mão	A mano	Met de hand	À la main
Loosen Fastener																	
Aflojar elemento de fijación																	
Befestigungsteil lösen																	
Desapertar fixador																	
Allentare il fissaggio																	
Bevestiging losdraaien																	
Desserrez les fixations																	
By Hand																	
A mano																	
Von Hand																	
Com a mão																	
A mano																	
Met de hand																	
À la main																	
	<table border="1"> <thead> <tr> <th>Security Wrench</th> </tr> </thead> <tbody> <tr> <td>Llave de seguridad</td> </tr> <tr> <td>Sicherheitsschlüssel</td> </tr> <tr> <td>Chave de segurança</td> </tr> <tr> <td>Chiave di sicurezza</td> </tr> <tr> <td>Veiligheidssleutel</td> </tr> <tr> <td>Clé de sécurité</td> </tr> </tbody> </table>	Security Wrench	Llave de seguridad	Sicherheitsschlüssel	Chave de segurança	Chiave di sicurezza	Veiligheidssleutel	Clé de sécurité									
Security Wrench																	
Llave de seguridad																	
Sicherheitsschlüssel																	
Chave de segurança																	
Chiave di sicurezza																	
Veiligheidssleutel																	
Clé de sécurité																	

REQUIRED TOOLS FOR INSTALLATION



PARTS



ASSEMBLY AND INSTALLATION

The WM21 is designed to replace the existing cover(s) on the WM210, WM220, WM230 and WM240, and to convert the existing short throw mount to a Chief Interactive Model (WM2XXSI). The WM2XXSI works with standard projectors and Windows® and Macintosh® computers. The Interactive Model will transform existing whiteboards or other hard, flat surfaces, into interactive whiteboards and allows users to present, annotate, and interact with their projected content and all of their desktop applications.

Remove Existing Mount Cover(s)

NOTE: Proceed to appropriate section - **Single Mount Cover** or **Split Mount Covers**.

- **Single Mount Cover**

1. Remove two Phillips pan head screws to release existing mount cover. (See Figure 1)

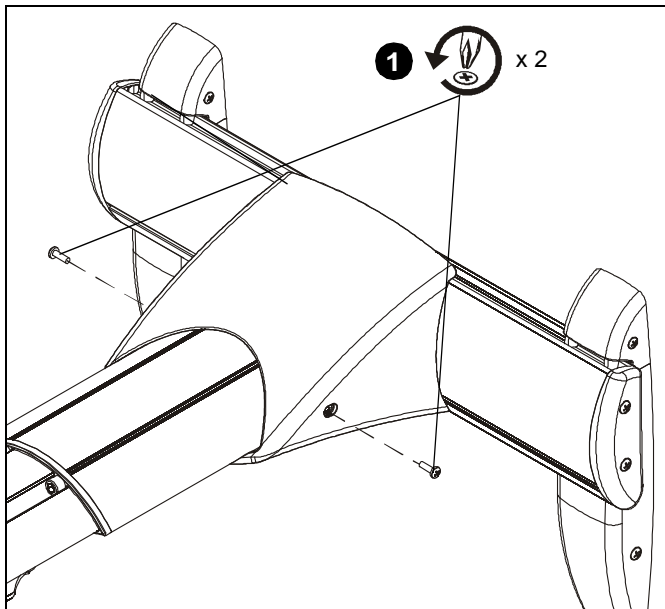


Figure 1

2. Remove two hex bolts and bracket from the underside of the mount. (See Figure 2)

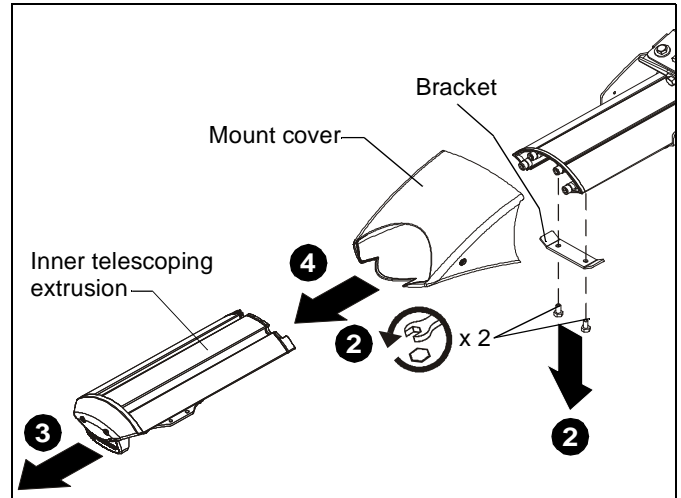


Figure 2

3. Remove inner telescoping extrusion. (See Figure 2)
4. Slide mount cover away from wall mount and remove. (See Figure 2)
5. Reinstall inner telescoping extrusion. (See Figure 3)

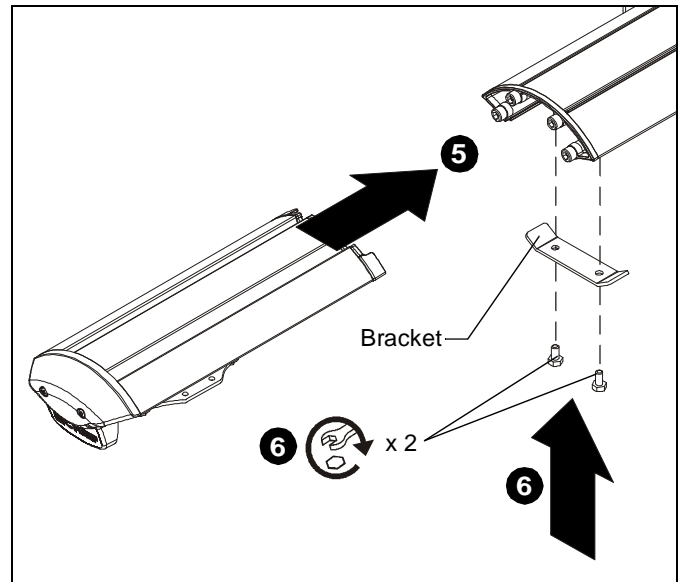


Figure 3

6. Reinstall bracket and fasten with two hex head bolts removed in Step 2. (See Figure 3)

• Split Mount Covers

1. Remove two Phillips pan head screws from upper cover. (See Figure 4)
2. Raise upper cover away from the mount. (See Figure 4)

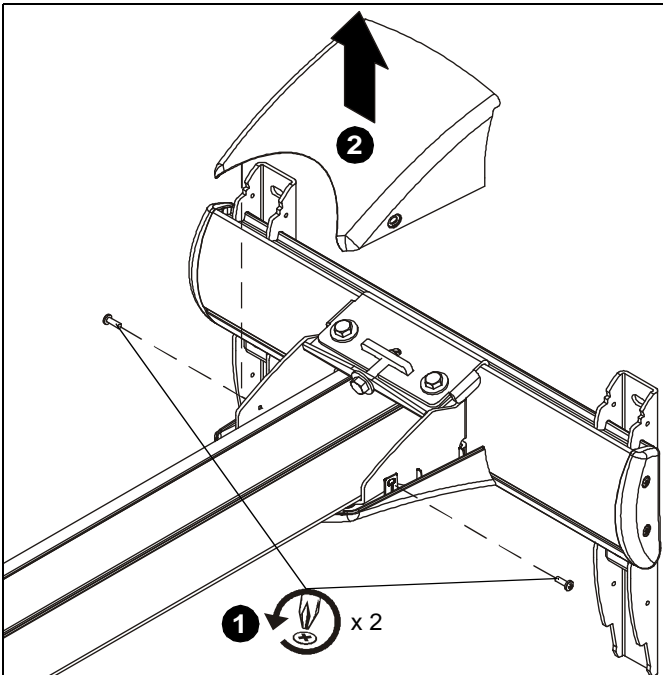


Figure 4

3. Remove lower cover from mount. (See Figure 5)

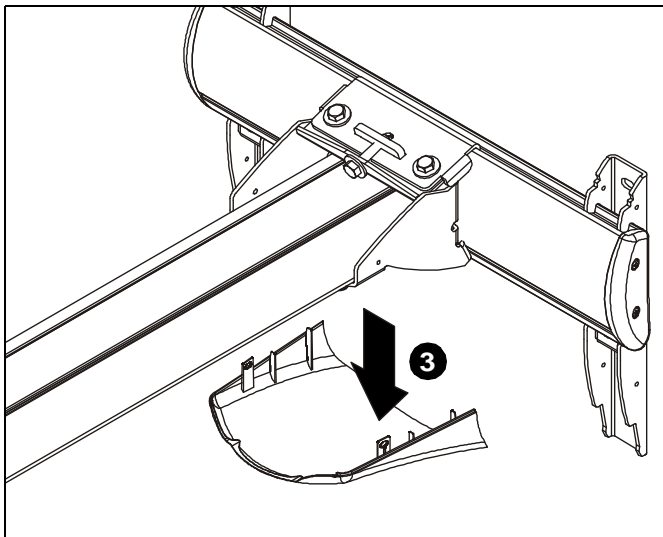


Figure 5

Install WMI

1. Connect USB cable (H) to cartridge in interactive cover (B), and route cable through strain relief channel on cartridge.
2. Route cables from projector through strain relief channel on cartridge in interactive cover (B). (See Figure 6)

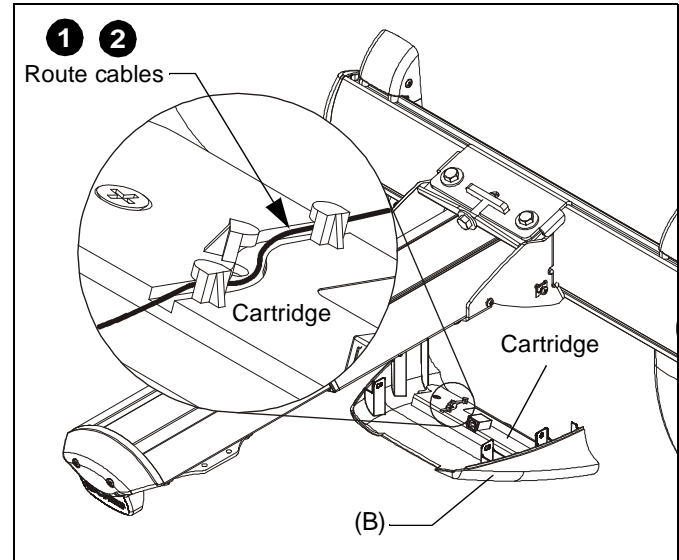


Figure 6

3. Raise the interactive cover (B) containing cartridge and attach to wall mount using two 8-32 x 3/8" Phillips pan head screws (M) [or using two 8-32 x 3/8" security button head screws (L)]. (See Figure 7)

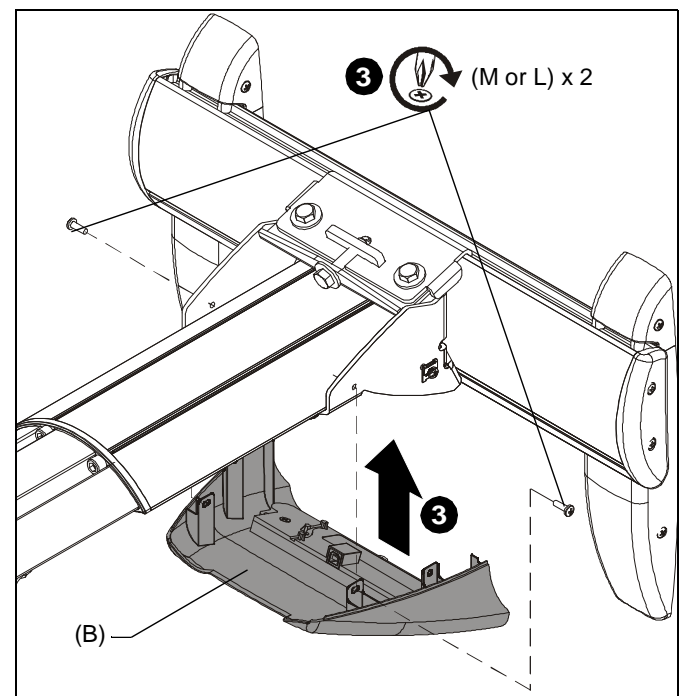


Figure 7

- Lower the upper cover (A) onto the wall mount and interactive cover (B), and fasten with two 8-32 x 3/8" Phillips pan head screws (M) [or use two 8-32 x 3/8" security button head screws (L)]. (See Figure 8)

NOTE: Be sure cables and cords are not pinched between upper and lower covers.

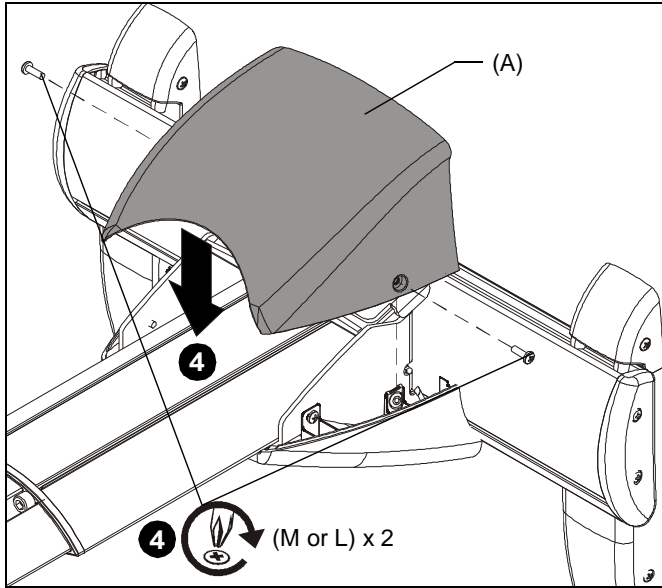


Figure 8

- Exit cables out bottom of cover and through cable management clips. (See Figure 9)

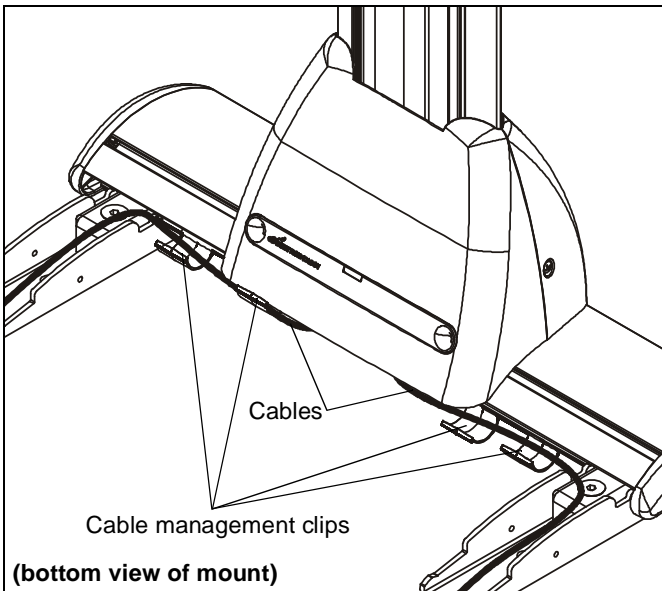


Figure 9

Connecting Chief Interactive Model

NOTE: Follow instructions in the Quick Start Guide (J).

IMPORTANT ! : After adding batteries to the stylus (C), tighten the cap **only** to the point of being fingertip-tight. Overtightening cap may cause the stylus to stop transmitting signals.

- Connect projector to computer
- Connect USB cord (H) from cartridge in interactive cover (B) to computer USB port.
- Insert interactive software CD (F) into computer, and follow start-up and operating instructions.

Minimum System Requirements for WM2XXSI

- Windows® System
 - Compatible PC with Pentium™ II 400 MHz+ processor and 256 MB RAM
 - Windows 2000, XP, Server 2003, Vista, or 7
 - 30 MB available hard drive space
 - Available USB port
- Macintosh® System
 - Power PC®/Intel™ 1.42 GHz+ processor and 1G RAM
 - Mac OS X 10.5 through 10.6
 - 25 MB available hard drive space
 - Available USB port

Active Capture Area Size

- The maximum active capture area supported is: 4 ft x 7 ft or up to 94 inches diagonal measure.
- The minimum active capture area supported is: 1.7 ft x 1.1 ft.

Connection Requirement

- The interactive model includes a USB cable.

Screen Recording Requirements

(Currently available only on Windows platform.)

- Pentium™ IV processor
- 1.4GHz, with 512MB RAM

Environmental Interference Guide

Ultrasound Reflections

General proximity guideline: A distance of 12 feet (approximately 4 meters) between the motion sensor and the eBeam receiver will normally allow good performance with the maximum board size. (See Figure 10)

Interference can be reduced by reducing the size of the projection area.

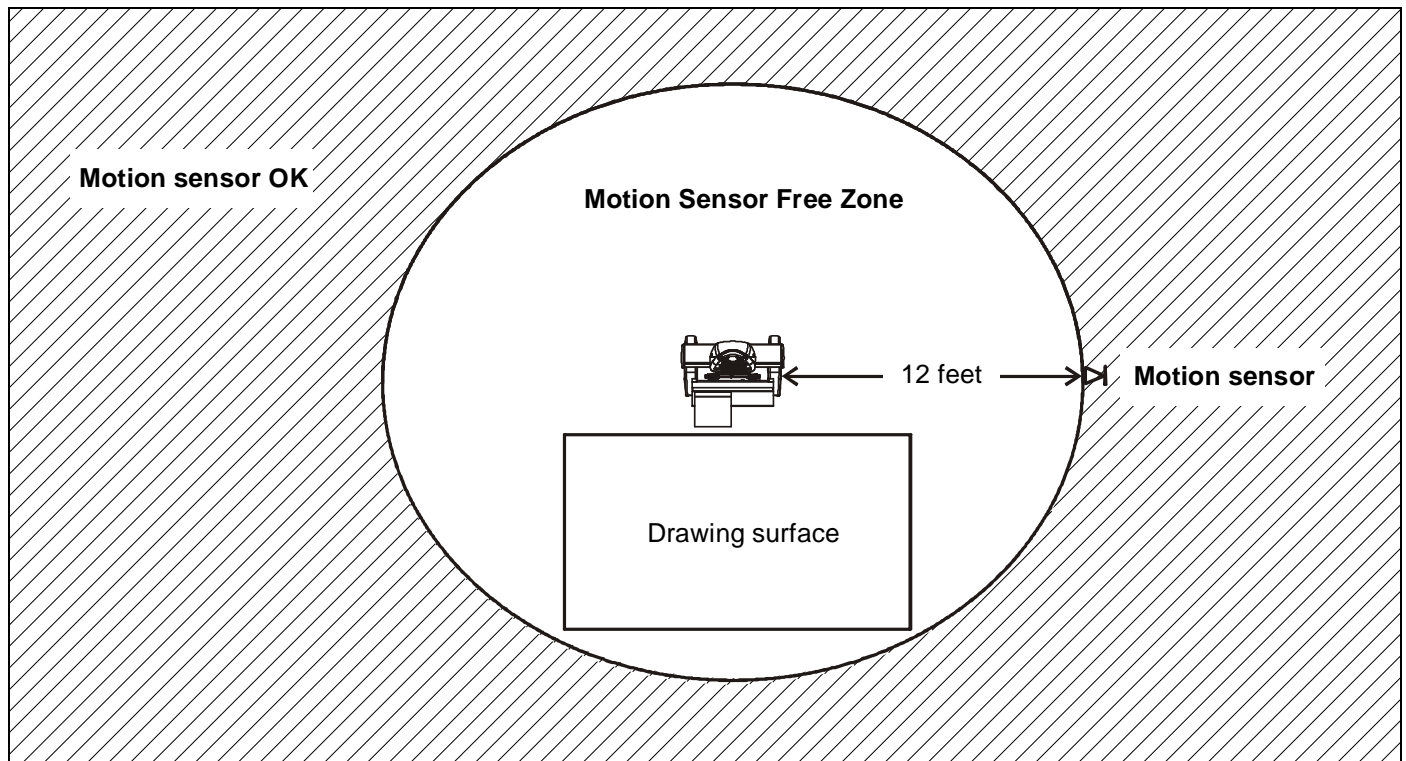


Figure 10

WM2XXSI Placement and Projection Area Constraints (See Figure 11)

- There should be a minimum distance of 12 inches between the base of the dual mount and the top of the projection image.
- The distance between the base of the dual mount and the bottom corner of the projection image (both right and left) should be less than or equal to 110 inches.
- The projection image should start a minimum of 1 inch from the base of the top frame of the whiteboard.
- The projection image should be positioned within the fan area extending from the Chief Interactive Dual Mount. This fan area should not exceed 140 degrees.

Whiteboard Constraints

- The whiteboard should not be thicker than 1". (See Figure 11)
- The ledge of the whiteboard frame should be less than or equal to 1/3". (See Figure 11)

Important Notes

- Do not put sticky notes, hanging paper, cables, outlets, or other items below the wall mount or inside the capture area. (See Figure 11)
- Image should be placed one inch below the edge of the whiteboard to minimize interference from the frame top.

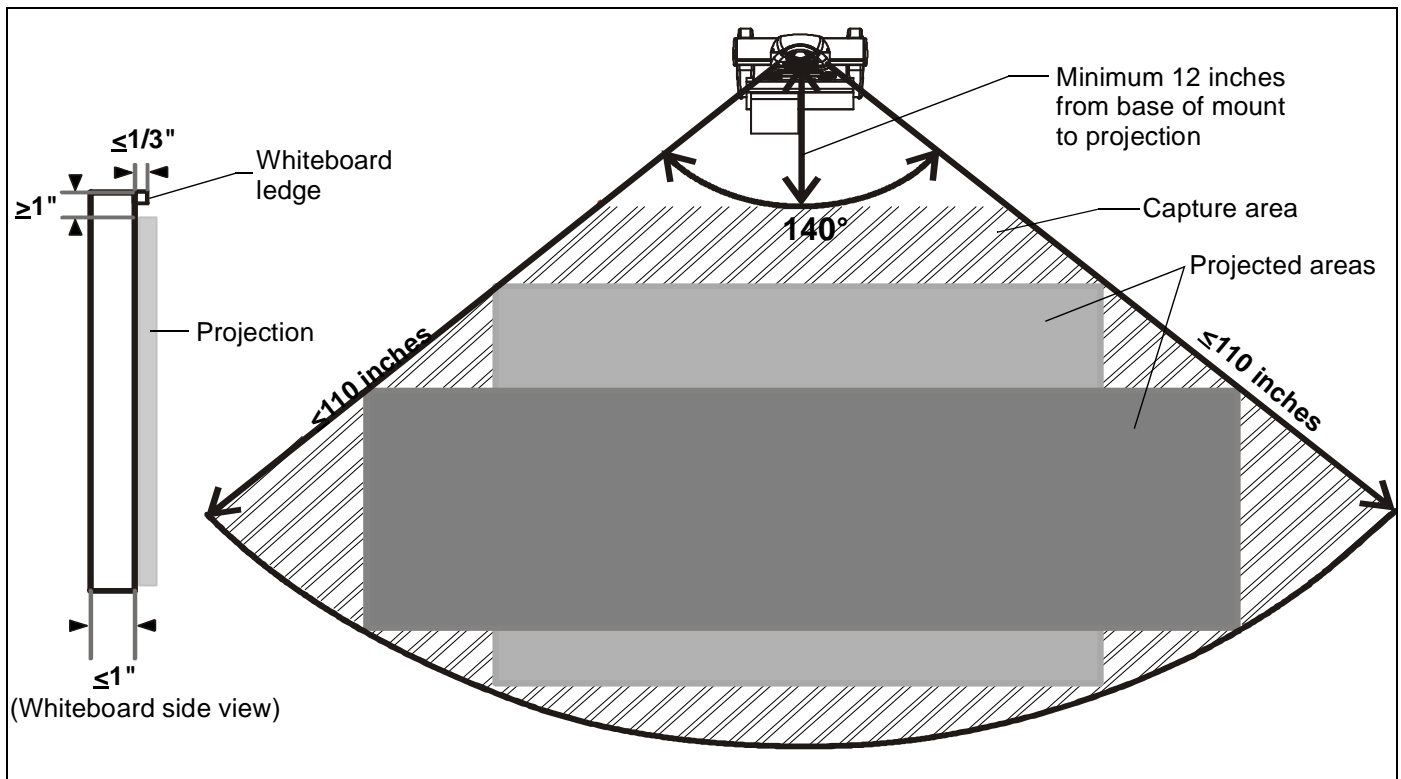


Figure 11



Our Mounts. **Your Vision.**

Chief, a products division of
Milestone AV Technologies

8800-002063 Rev03
©2014 Milestone AV Technologies
www.chiefmfg.com
07/14

USA/International	A 6436 City West Parkway, Eden Prairie, MN 55344
	P 800.582.6480 / 952.225.6000
	F 877.894.6918 / 952.894.6918
Europe	A Franklinstraat 14, 6003 DK Weert, Netherlands
	P +31 (0) 495 580 852
	F +31 (0) 495 580 845
Asia Pacific	A Office No. 918 on 9/F, Shatin Galleria 18-24 Shan Mei Street Fotan, Shatin, Hong Kong
	P 852 2145 4099
	F 852 2145 4477

