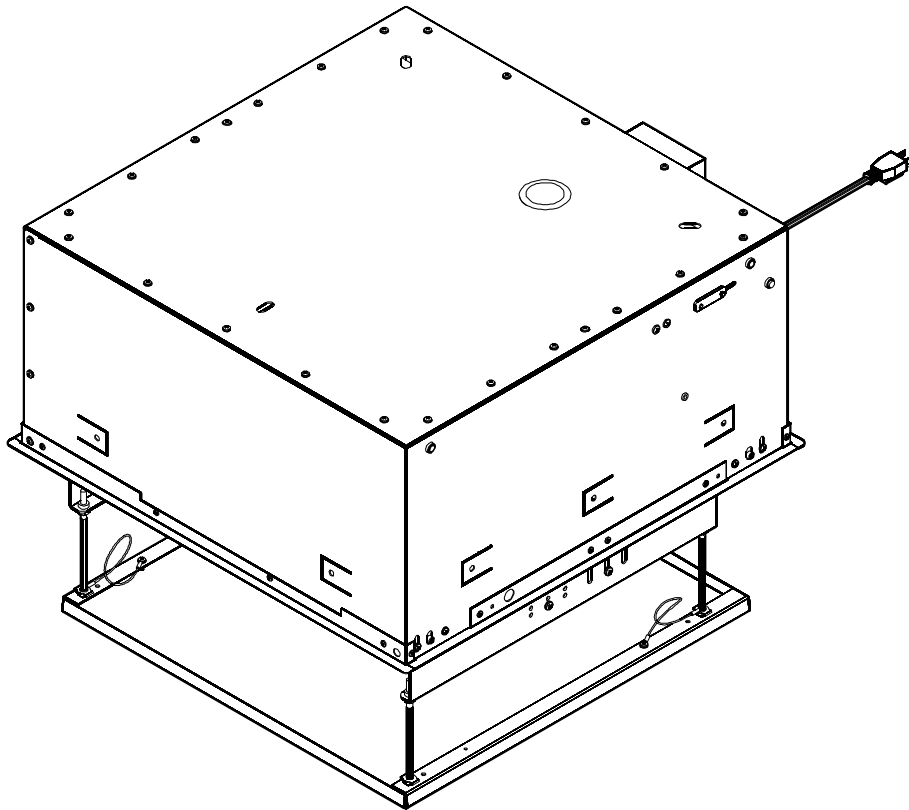

SERVICE MANUAL



SL-151 Control Box Replacement

DISCLAIMER

Milestone AV Technologies and its affiliated corporations and subsidiaries (collectively "Milestone"), intend to make this manual accurate and complete. However, Milestone makes no claim that the information contained herein covers all details, conditions or variations, nor does it provide for every possible contingency in connection with the installation or use of this product. The information contained in this document is subject to change without notice or obligation of any kind. Milestone makes no representation of warranty, expressed or implied, regarding the information contained herein. Milestone assumes no responsibility for accuracy, completeness or sufficiency of the information contained in this document.

Chief® is a registered trademark of Milestone AV Technologies. All rights reserved.



CAUTION: A CAUTION alerts you to the possibility of damage or destruction of equipment if you do not follow the corresponding instructions.



WARNING: Failure to read, thoroughly understand, and follow all instructions can result in serious personal injury, damage to equipment, or voiding of factory warranty! It is the installer's responsibility to make sure all components are properly assembled and installed using the instructions provided.

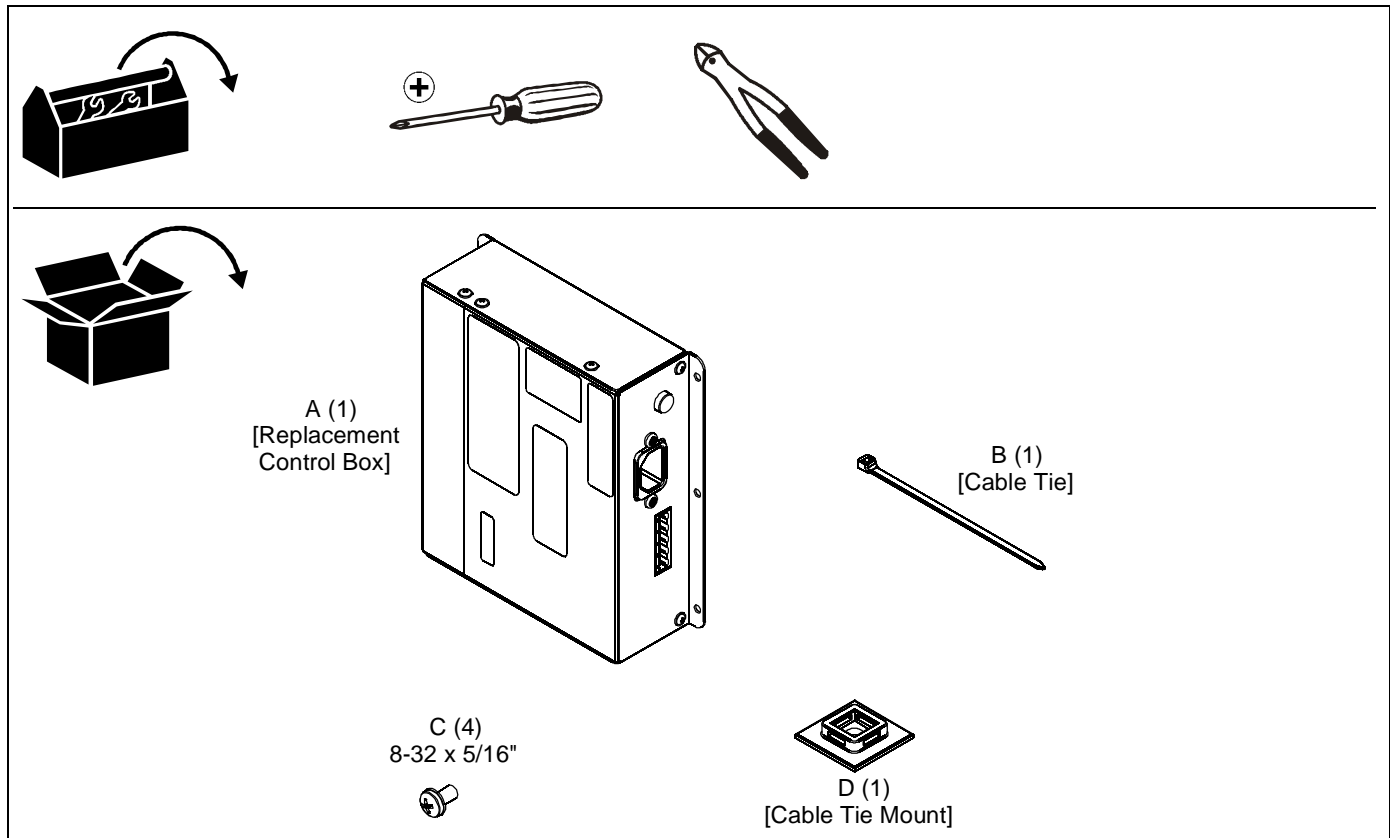


IMPORTANT WARNINGS AND CAUTIONS!



WARNING: A WARNING alerts you to the possibility of serious injury or death if you do not follow the instructions.

TOOLS FOR INSTALLATION / PARTS



REMOVING CONTROL BOX

1. Fully lower SL151, if possible.
2. Turn off and remove power from SL151.
3. Remove ceiling pan following instructions included with the SL151.
4. Remove projector from SL151 following instructions included with the SL151.
5. Remove and save two Phillips screws from motor connection cover. (See Figure 1)
6. Remove and save motor connector cover. (See Figure 1)

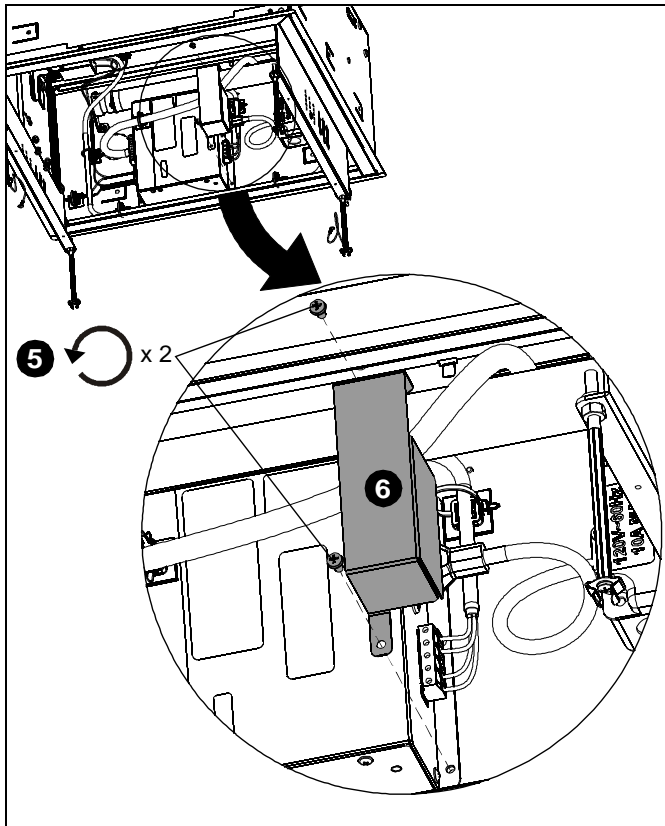


Figure 1

7. Disconnect power inlet and motor connector plugs. (See Figure 2)
8. Cut and discard one cable tie. (See Figure 3)

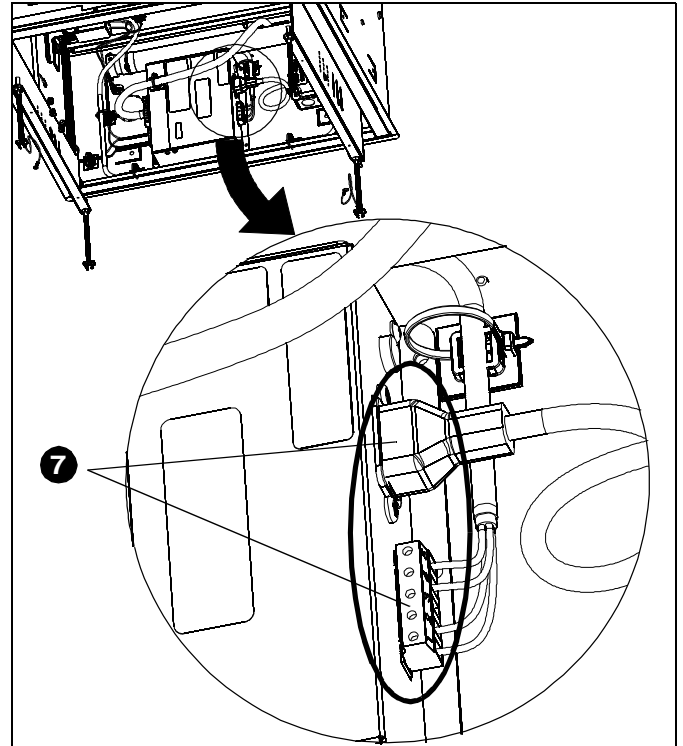


Figure 2

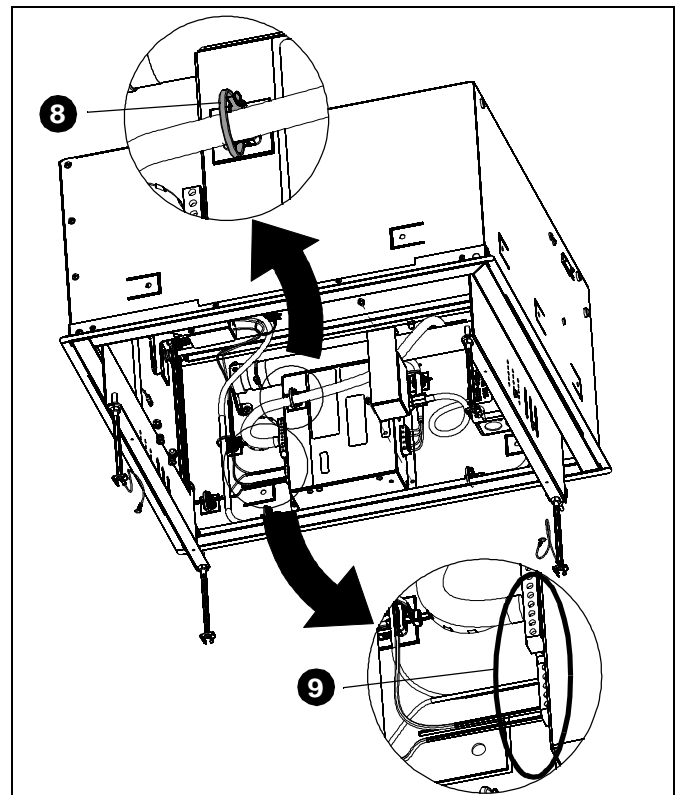


Figure 3

9. Disconnect control harness and limit switch harness (three plugs). (See Figure 3)

10. Remove and save two Phillips head screws from control box. (See Figure 4)
11. Remove control box from SL151. (See Figure 4)

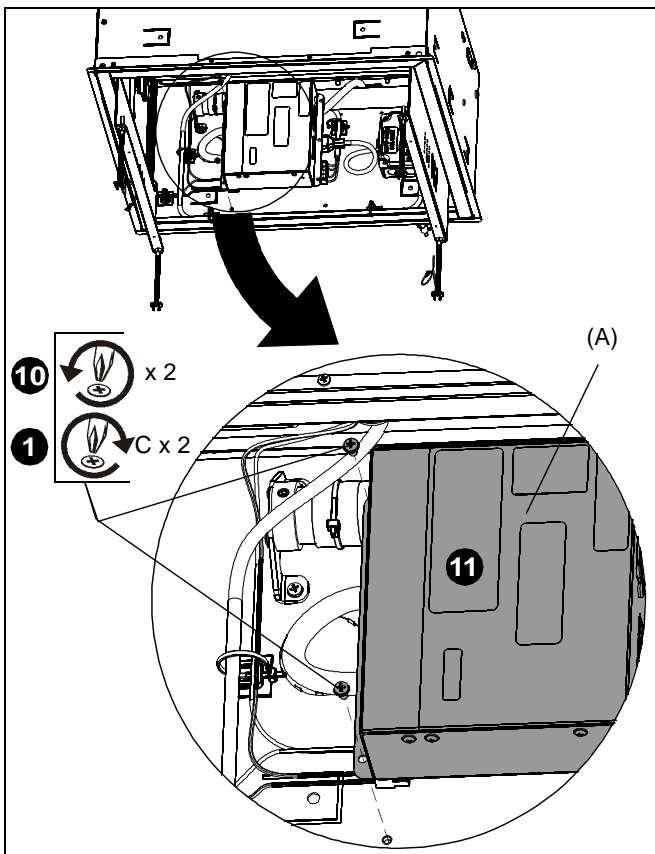


Figure 4

REPLACING CONTROL BOX

1. Place new control box (A) into SL151 and fasten with two Phillips screws (removed in Step 10 of **Removing Control Box** section), or two Phillips 8-32 x 5/16" screws (C). (See Figure 4)
2. Reconnect control harness and limit switch harness (three plugs). (See Figure 5)
3. Install new cable tie (B) around control harness. (See Figure 5)
4. Reconnect power inlet and motor connector plugs. (See Figure 6)

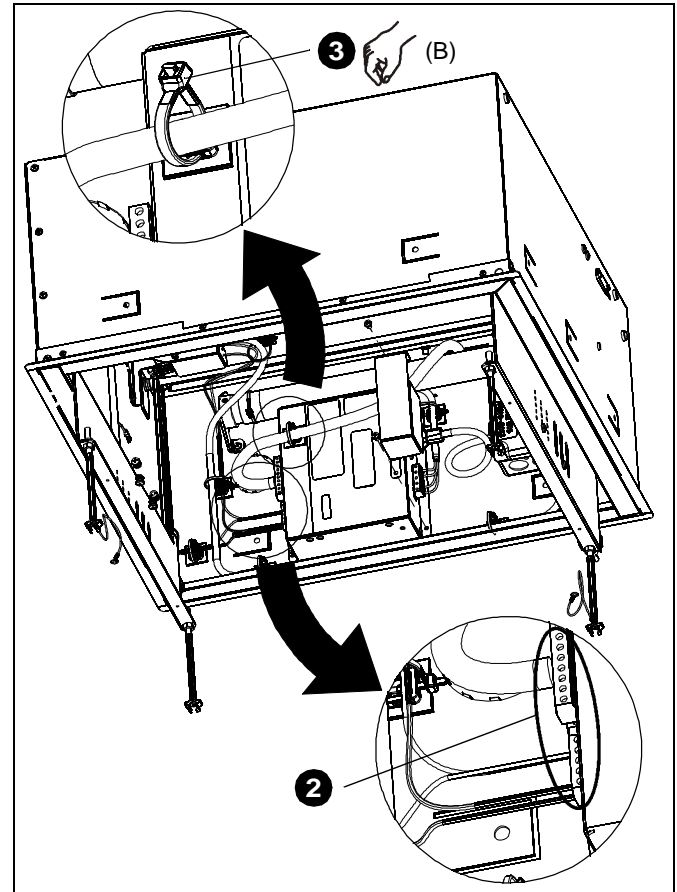


Figure 5

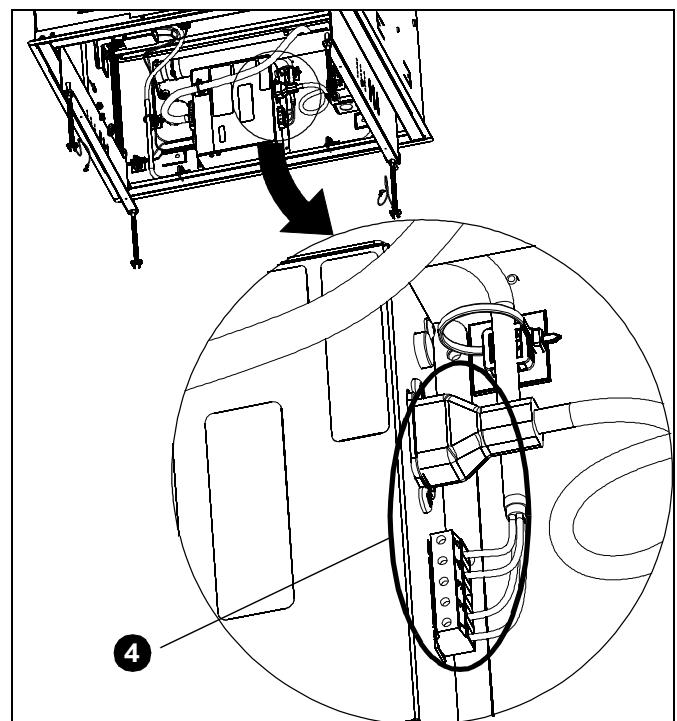


Figure 6

5. Restore power to SL151.
6. Verify that SL151 is operating properly when moving up and down.
7. Remove power from SL151.
8. Replace motor connector cover and reinstall two Phillips screws (removed in Step 5 of **Removing Control Box** section), or two Phillips 8-32 x 5/16" screws (C). (See Figure 7)

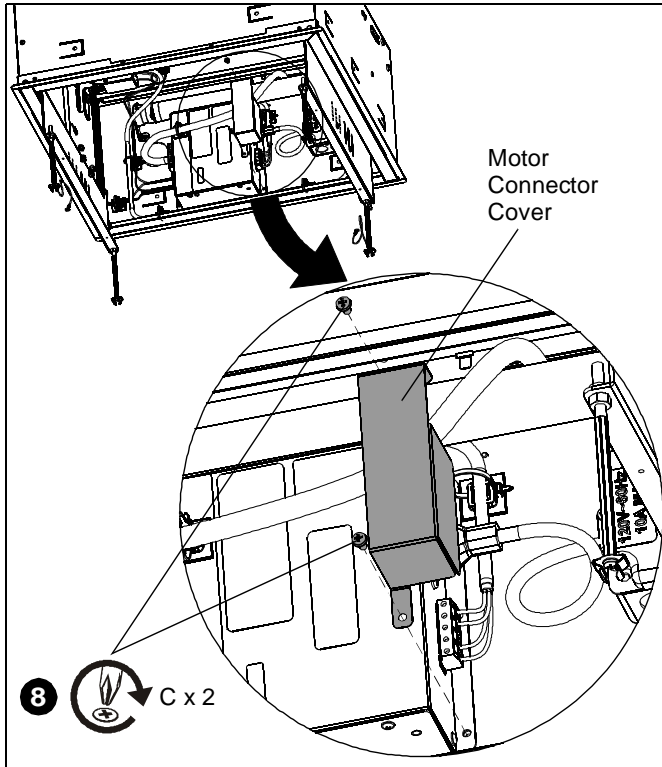


Figure 7

9. Reinstall the projector into the SL151 following instructions included with the SL151.
10. Reinstall ceiling pan following instructions included with the SL151.
11. Restore power to SL151.



Our Mounts. **Your Vision.**

Chief Manufacturing, a products division
of Milestone AV Technologies

8800-002176 Rev00
©2012 Milestone AV Technologies, a
Duchossois Group Company
www.chiefmfg.com
05/12

USA/International	A 6436 City West Parkway, Eden Prairie, MN 55344 P 800.582.6480 / 952.225.6000 F 877.894.6918 / 952.894.6918
Europe	A Franklinstraat 14, 6003 DK Weert, Netherlands P +31 (0) 495 580 852 F +31 (0) 495 580 845
Asia Pacific	A Office No. 1 on 12/F, Shatin Galleria 18-24 Shan Mei Street Fotan, Shatin, Hong Kong P 852 2145 4099 F 852 2145 4477

