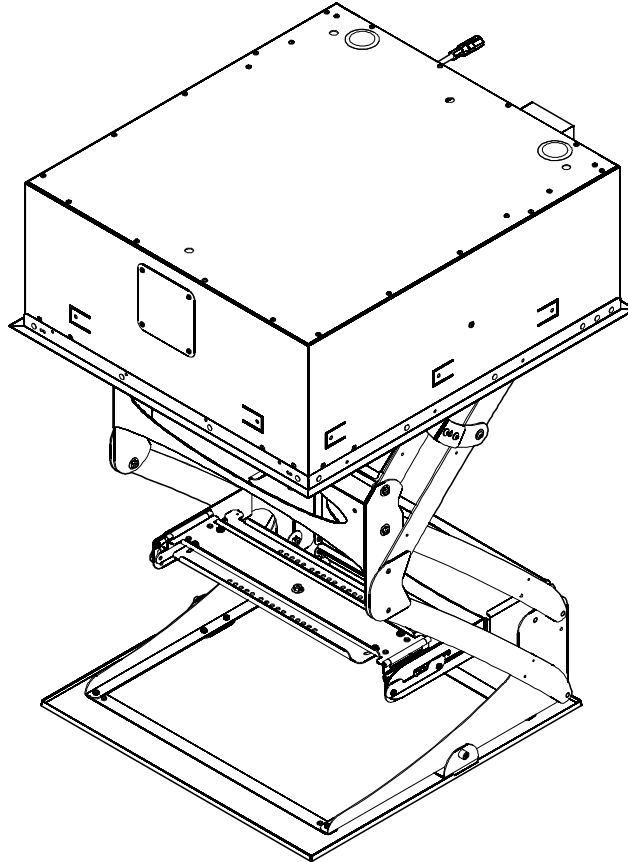

SERVICE MANUAL



SL-236 Control Box Replacement

DISCLAIMER

Milestone AV Technologies and its affiliated corporations and subsidiaries (collectively "Milestone"), intend to make this manual accurate and complete. However, Milestone makes no claim that the information contained herein covers all details, conditions or variations, nor does it provide for every possible contingency in connection with the installation or use of this product. The information contained in this document is subject to change without notice or obligation of any kind. Milestone makes no representation of warranty, expressed or implied, regarding the information contained herein. Milestone assumes no responsibility for accuracy, completeness or sufficiency of the information contained in this document.

Chief® is a registered trademark of Milestone AV Technologies. All rights reserved.



CAUTION: A CAUTION alerts you to the possibility of damage or destruction of equipment if you do not follow the corresponding instructions.



WARNING: Failure to read, thoroughly understand, and follow all instructions can result in serious personal injury, damage to equipment, or voiding of factory warranty! It is the installer's responsibility to make sure all components are properly assembled and installed using the instructions provided.

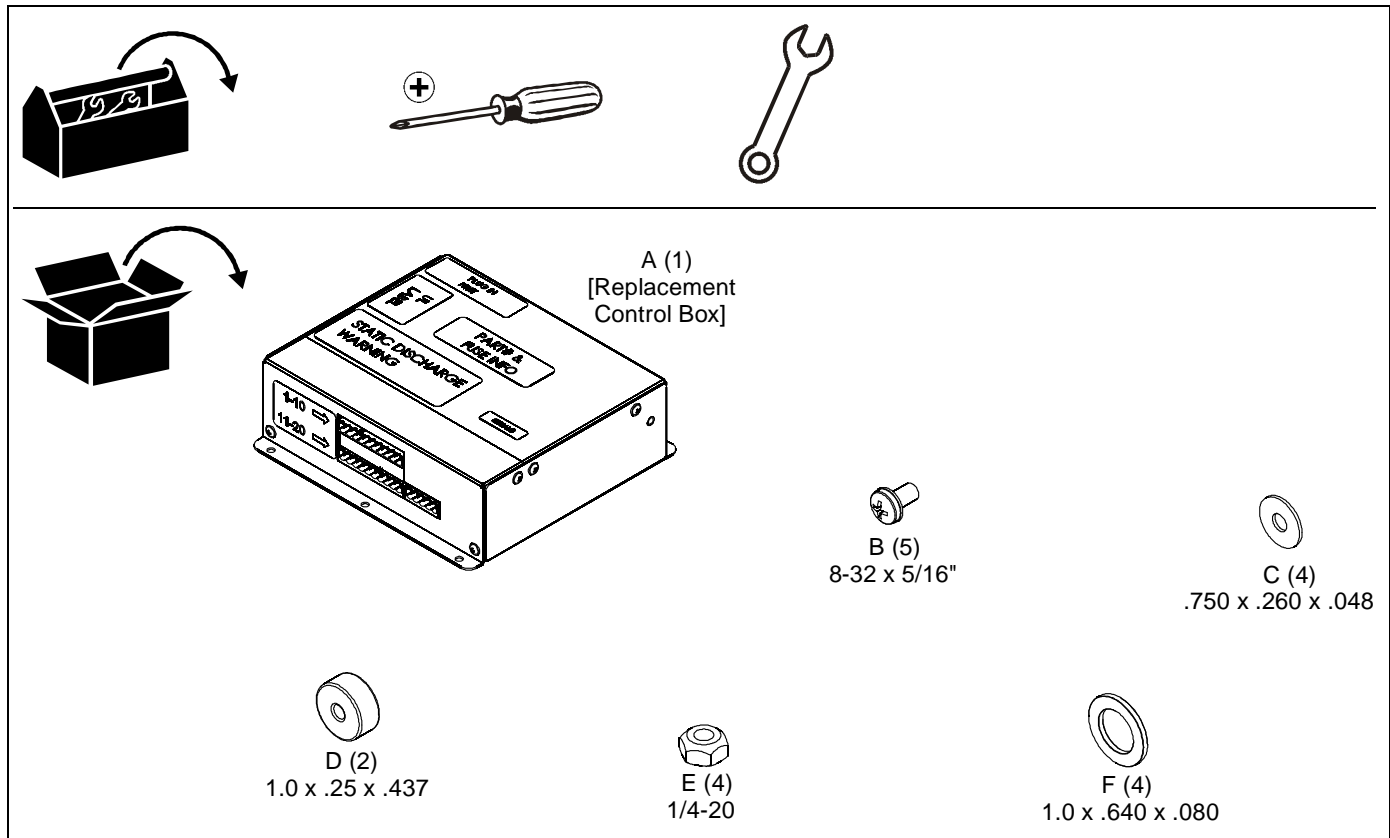


IMPORTANT WARNINGS AND CAUTIONS!



WARNING: A WARNING alerts you to the possibility of serious injury or death if you do not follow the instructions.

TOOLS FOR INSTALLATION / PARTS



REMOVING CONTROL BOX

1. Fully lower SL236, if possible.
2. Turn off and remove power from SL236.
3. Remove projector from SL236 following instructions included with the SL236.
4. Remove signal and power cables from projector.
5. Remove projector cradle by removing four locking nuts (two on each side) and additional washers and spacers. (See Figure 1)

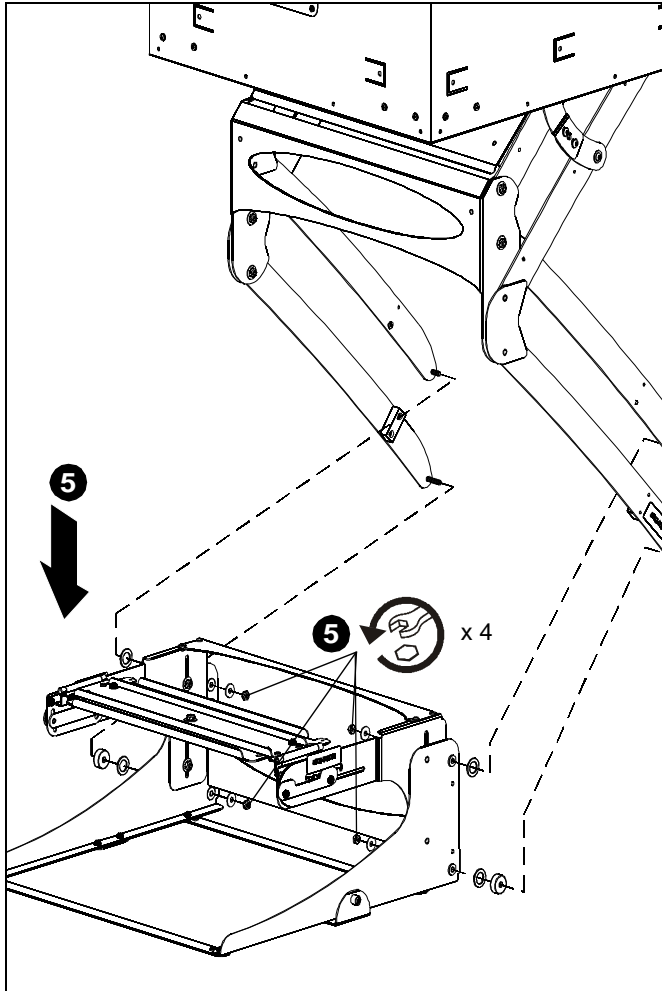


Figure 1

6. Disconnect power inlet and connector plugs on side of control box. (See Figure 2)
7. Loosen and remove five screws from control box and wiring cover. (See Figure 2)

NOTE: The wiring cover will only be present on newer units. Older units will not have this cover.

8. Remove control box.

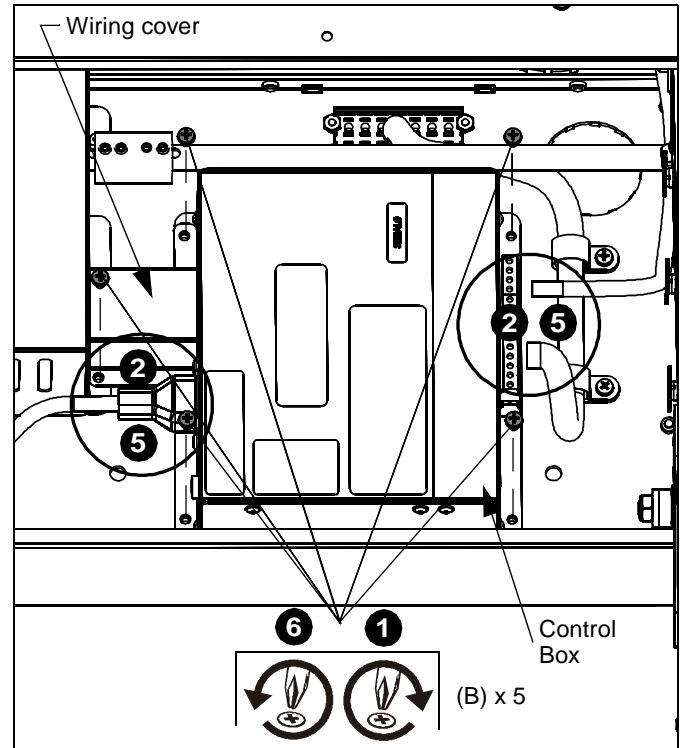


Figure 2

REPLACING CONTROL BOX

1. Install the new control box (A) using five 8-32 x 5/16" Phillips head screws (B). (See Figure 2)
2. Reattach connector plugs and power inlet. (See Figure 2)

3. Reinstall projector cradle to SL236 lift. (See Figure 3)
 - Use two nylon spacers (K), two flat washers (D) and two locknuts (G) for rear lift arms.
 - Use two steel spacers (F), two nylon spacers (K), two flat washers (D) and two locknuts (G) for front lift arms.
4. Reinstall the projector into the SL236 following instructions included with the SL236.
5. Re-route projector power and signal cables following instructions in the SL236 installation instructions.
6. Restore power to SL236.

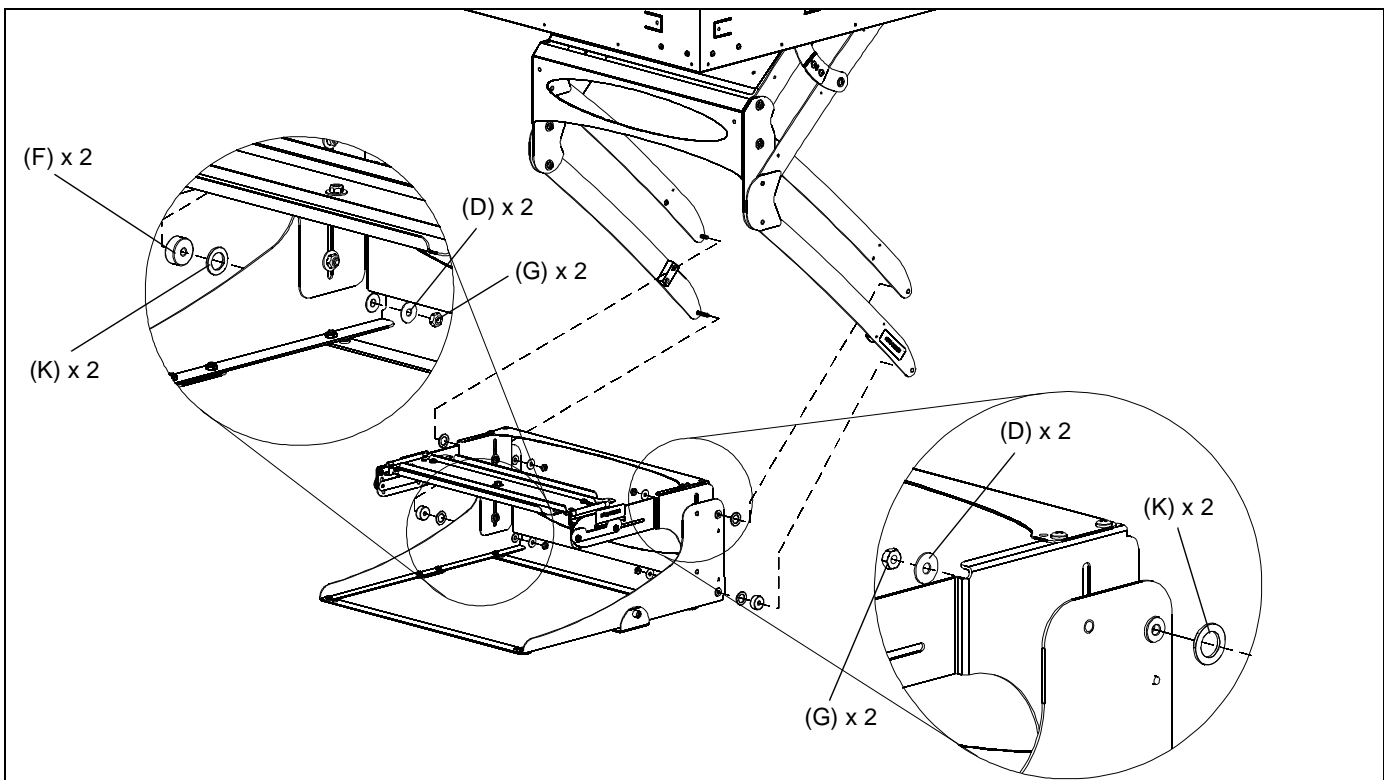


Figure 3



Our Mounts. **Your Vision.**

Chief Manufacturing, a products division
of Milestone AV Technologies

8800-002177 Rev00
©2012 Milestone AV Technologies, a
Duchossois Group Company
www.chiefmfg.com
05/12

USA/International	A 6436 City West Parkway, Eden Prairie, MN 55344 P 800.582.6480 / 952.225.6000 F 877.894.6918 / 952.894.6918
Europe	A Franklinstraat 14, 6003 DK Weert, Netherlands P +31 (0) 495 580 852 F +31 (0) 495 580 845
Asia Pacific	A Office No. 1 on 12/F, Shatin Galleria 18-24 Shan Mei Street Fotan, Shatin, Hong Kong P 852 2145 4099 F 852 2145 4477

