



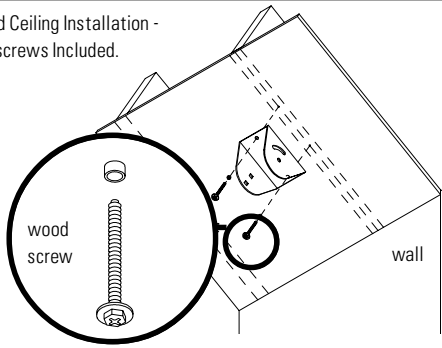
CATHEDRAL CEILING ADAPTER ACC-556

The **ACC556 Cathedral Ceiling Adapter** can be attached to a finished ceiling (wood joists above drywall) using the two washer head wood screws included, or a structural ceiling (concrete) using concrete anchor accessory kit **ACC200** (sold separately).

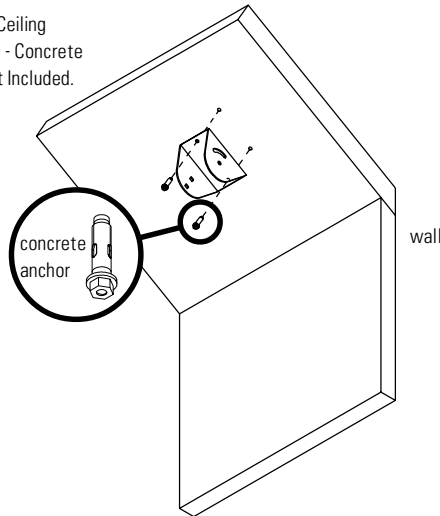
Architects specifications:

The Cathedral Ceiling Adapter **ACC556** can be attached where indicated on the plans. It shall have a 1 1/2 - 11.5 NPS threaded fitting to accept a flush mount tube or extension column. It shall be constructed of 12 gauge cold rolled steel and finished in white fused epoxy. Assembly and installation shall be done according to the instructions provided by the manufacturer.

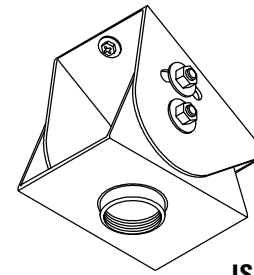
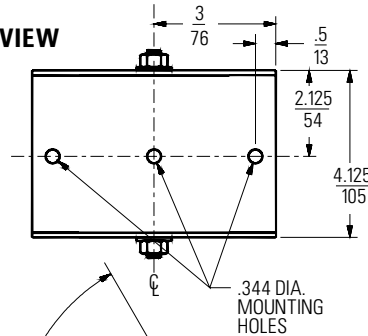
Finished Ceiling Installation - Wood screws Included.



Structural Ceiling Installation - Concrete anchors not included.

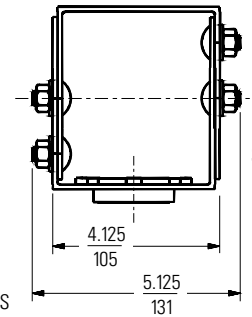
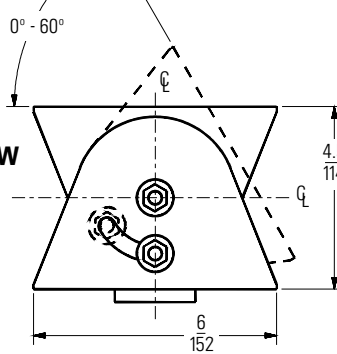


TOP VIEW



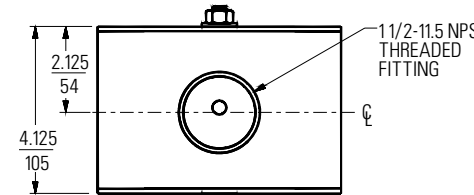
ISOMETRIC VIEW

FRONT VIEW



SIDE VIEW

BOTTOM VIEW



ALL DIMENSIONS: INCH / MM
 CL = CENTER LINE

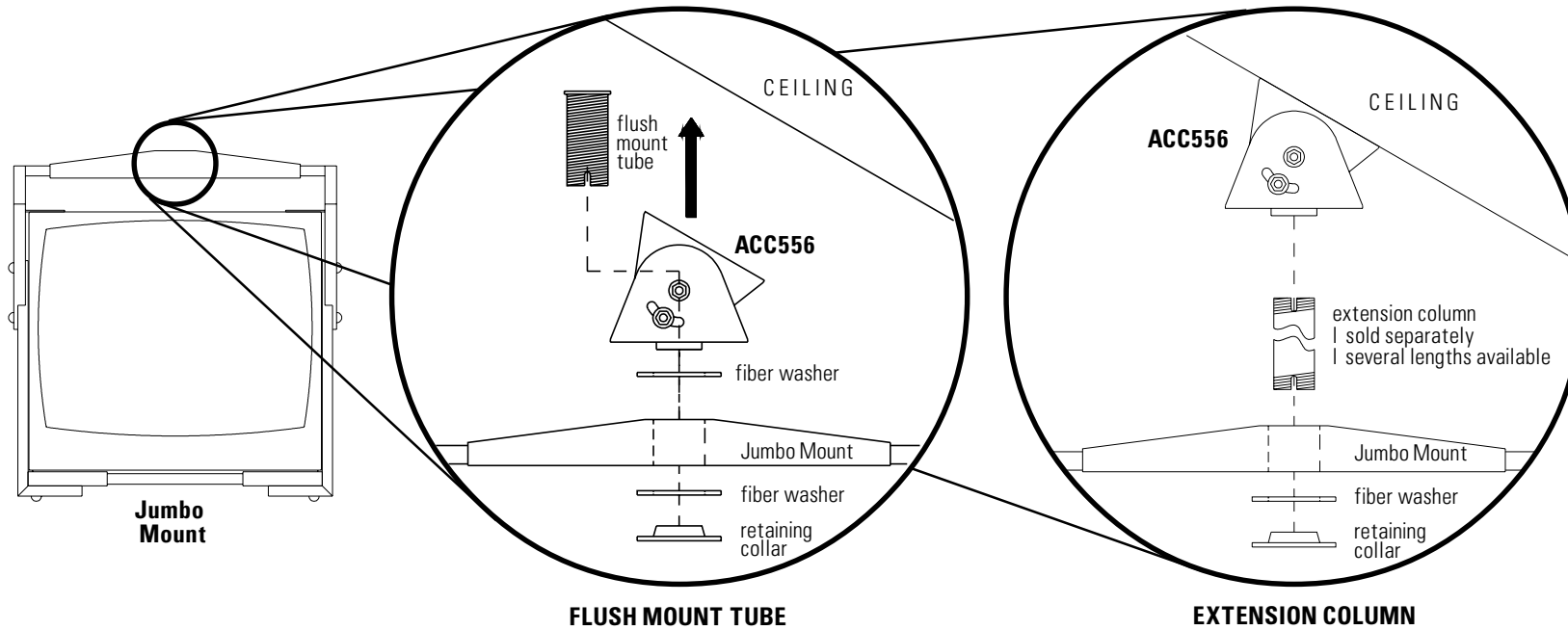
WARNING: IMPROPER INSTALLATION MAY RESULT IN SERIOUS PERSONAL INJURY!

The overhead support **must** be capable of supporting **five times** the weight of the mount and equipment combined. If it cannot, it **must** be reinforced.



CATHEDRAL CEILING ADAPTER ACC-556

Jumbo Mount attaches to **ACC556** with flush mount tube or extension column. Flush mount tube is included with Jumbo Mount. Various lengths of extension columns are available. Adjustable length extension columns are also available. The ceiling to which the ceiling plate is attached must be capable of carrying four times the combined weight of all components (Jumbo Mount, extension column, etc.) and equipment (monitor, VCR, etc.).



MODEL ACC556 CATHEDRAL CEILING ADAPTER FOR JUMBO MOUNTS - SPECIFICATIONS				
Weight	*Shipping Weight	Max. Load Capacity		Compatible Jumbo Mount Models
		Concrete	Wood	
4 lbs. (1.8kg)	5 lbs. (3 kg)	300 lbs. (137kg)	300 lbs. (137kg)	JM 630, JM 640, JM 640D, JM 650, JM 650D, JM 655, JM 660, JM 665, JM 670, JM 675

WARNING: WEIGHT OF TV or MONITOR NOT TO EXCEED MAXIMUM LOAD CAPACITY!

*Shipping weight based on single unit shipment. Per unit shipping weight may be less for bulk orders.

WARNING: IMPROPER INSTALLATION MAY RESULT IN SERIOUS PERSONAL INJURY!

The overhead support **must** be capable of supporting **five times** the weight of the mount and equipment combined. If it cannot, it **must** be reinforced.