

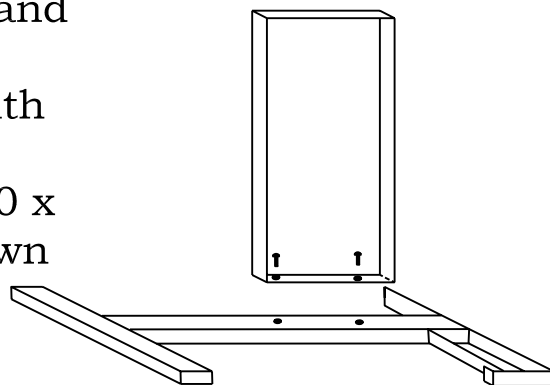
Studio Furniture Instruction Sheet

Config-u-raxx Center Desks

Raxxess Metalsmiths
261 Buffalo Avenue
Paterson, N.J. 07503
Made with pride in the U.S.A.

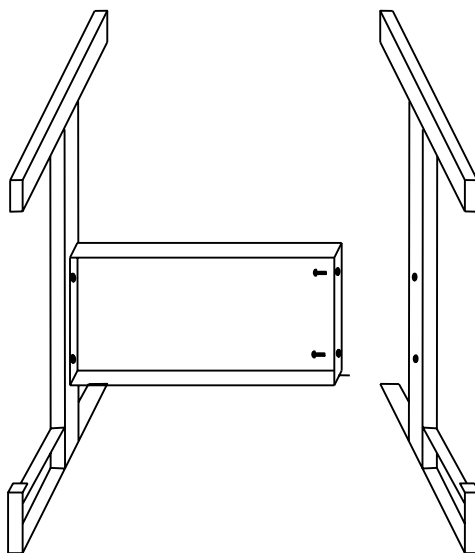
Page 1 of 2

STEP 1: Place one of the legs as shown, and screw the modesty panel (that came with your top) to the leg with 2 of the 1/4-20 x 5/8" screws as shown in the illustration.



Note that the open side of the modesty panel is toward the silver "knobs", so as to be away from view during use.

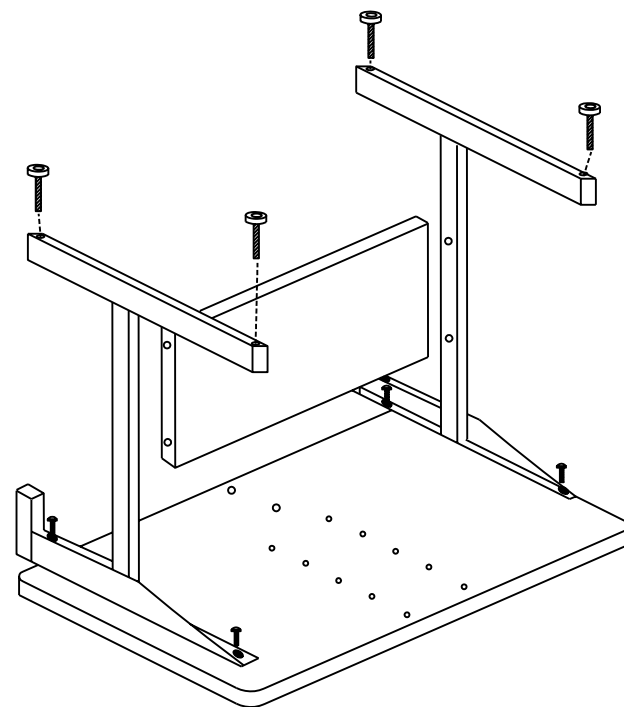
STEP 2: Stand the leg assembly up as shown, and, with the other leg opposing it as shown, run in two more of the same screws.



Step 3:

Place the leg assembly onto the table top as shown, with the two rectangular "tubes" (the parts with the two silver knobs), hanging from the rear of the table top. Insert four of the same screws you used to assemble the legs, into the holes provided as shown.

Next, run the four levelers all the way into the threaded holes at the bottom of the legs.



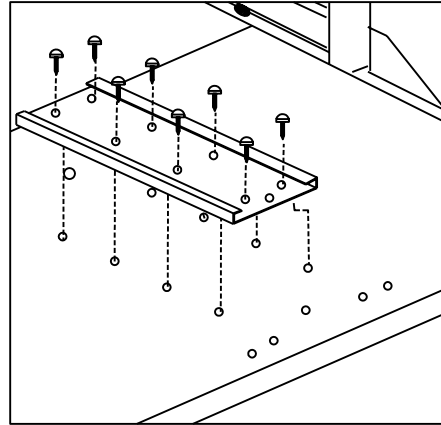
Studio Furniture Instruction Sheet

Config-u-raxx Center Desks

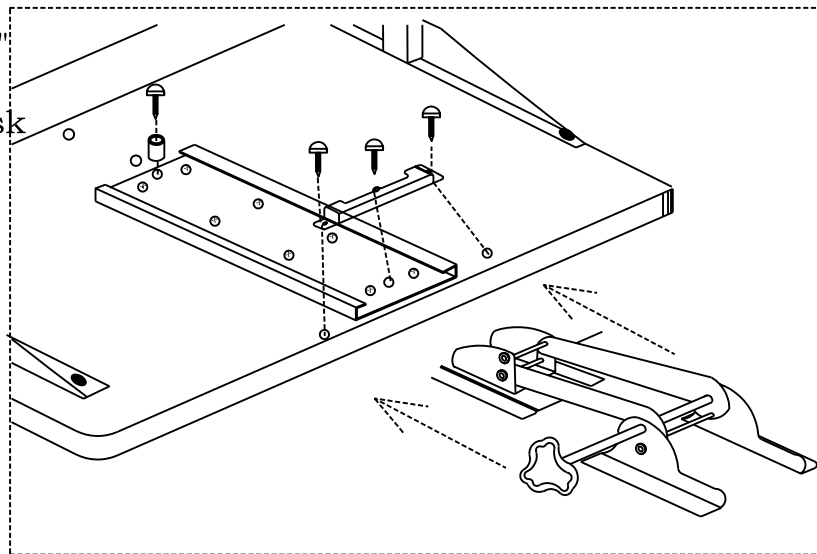
Raxxess Metalsmiths
261 Buffalo Avenue
Paterson, N.J. 07503
Made with pride in the U.S.A.

Page 2 of 2

STEP 4: If you are going to mount our keyboard shelf to your center desk, now is the best time to do so. Screw the keyboard shelf "slider", (the black pan with holes that match holes in the top), to the desk as shown. Now slide the steel keyboard shelf mechanism onto the slider.



Next, screw the front plastic "stop" and the rubber bumper to the desk top in a similar manner.



Step 5: If you plan to connect your center desk to other configuraxx products, you'll want to attach our unique connector before turning the desk over. Just screw the connector to the holes, with the wood screws provided, in the pilot holes provided, then attach the appropriate connector to the next desk. This will provide a gentle rotary action connection, without being obtrusive.

