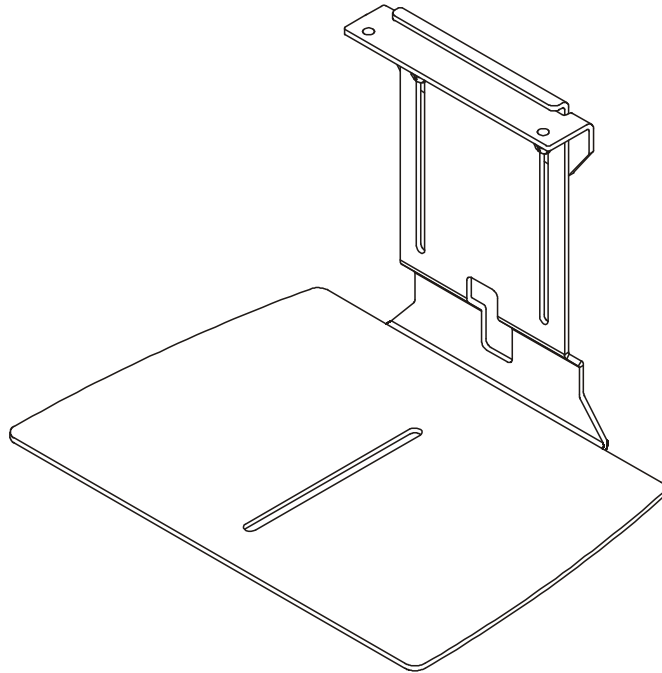

INSTALLATION INSTRUCTIONS



Video Camera Shelf Accessory

DISCLAIMER

Milestone AV Technologies and its affiliated corporations and subsidiaries (collectively "Milestone"), intend to make this manual accurate and complete. However, Milestone makes no claim that the information contained herein covers all details, conditions or variations, nor does it provide for every possible contingency in connection with the installation or use of this product. The information contained in this document is subject to change without notice or obligation of any kind. Milestone makes no representation of warranty, expressed or implied, regarding the information contained herein. Milestone assumes no responsibility for accuracy, completeness or sufficiency of the information contained in this document.

Chief® is a registered trademark of Milestone AV Technologies. All rights reserved.

⚠ IMPORTANT SAFETY INSTRUCTIONS

⚠ WARNING: A WARNING alerts you to the possibility of serious injury or death if you do not follow the instructions.

⚠ CAUTION: A CAUTION alerts you to the possibility of damage or destruction of equipment if you do not follow the corresponding instructions.

⚠ WARNING: Failure to read, thoroughly understand, and follow all instructions can result in serious personal injury, damage to equipment, or voiding of factory warranty! It is the installer's responsibility to make sure all components are properly assembled and installed using the instructions provided.

⚠ WARNING: Exceeding the weight capacity can result in serious personal injury or damage to equipment! The weight of the camera located on the AN1CA1 must not exceed 10 lbs (4.5 kg).

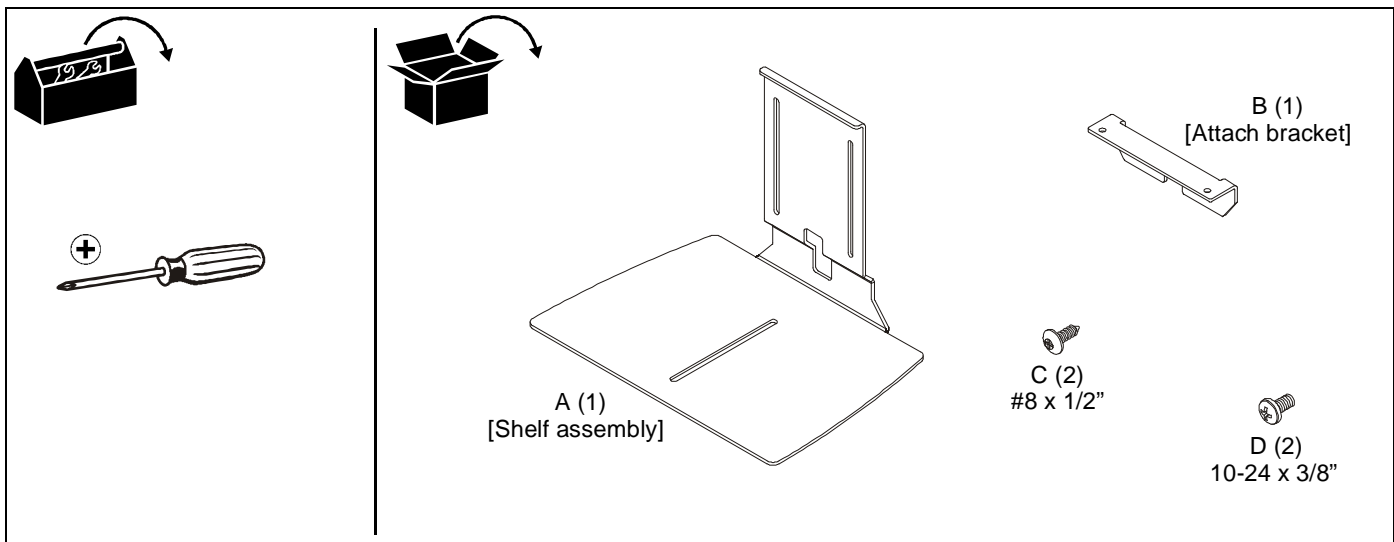
⚠ WARNING: Use this mounting system only for its intended use as described in these instructions. Do not use attachments not recommended by the manufacturer.

⚠ WARNING: Never operate this mounting system if it is damaged. Return the mounting system to a service center for examination and repair.

⚠ WARNING: Do not use this product outdoors.

--SAVE THESE INSTRUCTIONS--

TOOLS / PARTS FOR INSTALLATION



ASSEMBLY AND INSTALLATION

1. Attach bracket (B) at desired location on bottom of screen, using two #8 x 1/2" self-drilling screws (C). (See Figure 1)

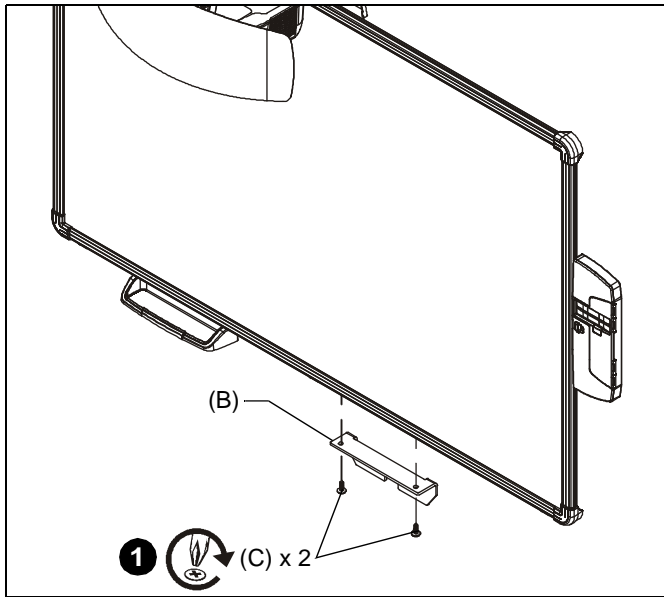


Figure 1

2. Slide shelf assembly (A) into attach bracket (B), ensuring that bend in shelf assembly slides into attach bracket slot. (See Figure 2)

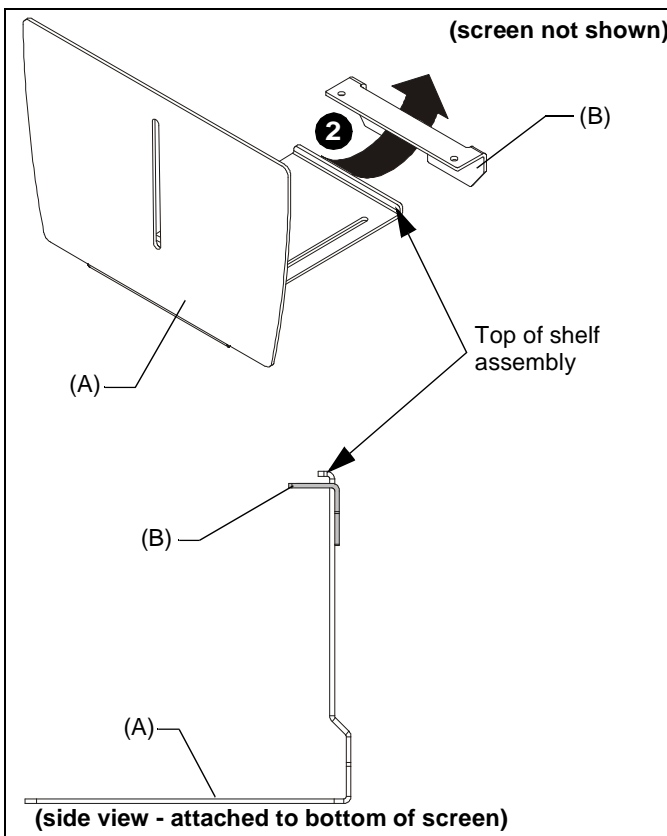


Figure 2

3. Fasten the shelf assembly (A) to the attach bracket (B) using two 10-24 x 3/8" Phillips head screws (D) through the shelf assembly slots and into the attach bracket fastener holes. (See Figure 3)

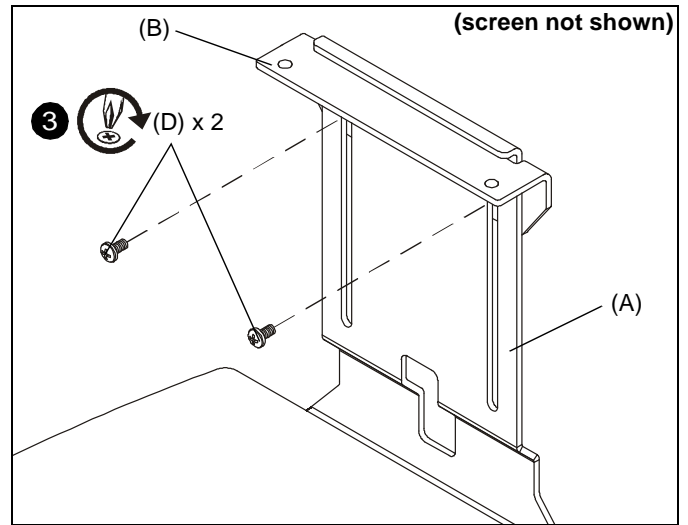


Figure 3

4. Adjust shelf height, as necessary by loosening two Phillips head screws, raising or lowering shelf as required, and tightening screws. (See Figure 4)

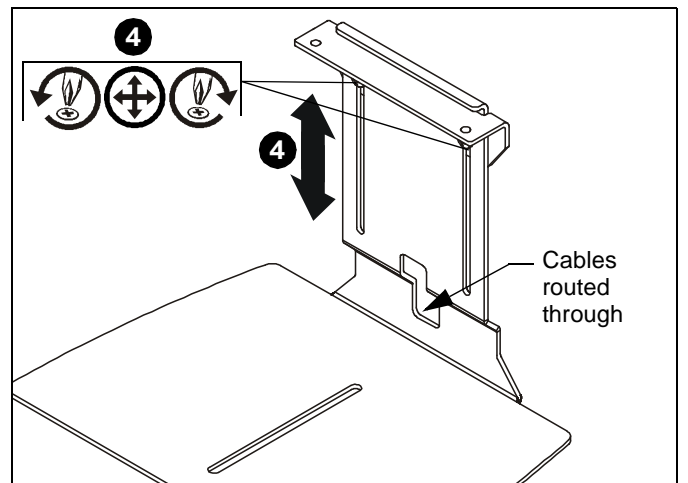


Figure 4

5. Cables may be routed through the opening in the back of the assembly, and routed upward behind the shelf assembly. (See Figure 4)
6. Complete the installation following attachment instructions included with the camera.



Our Mounts. **Your Vision.**

Chief Manufacturing, a products division
of Milestone AV Technologies

8800-002373 Rev01
©2013 Milestone AV Technologies, a
Duchossois Group Company
www.chiefmfg.com
08/13

USA/International	A 6436 City West Parkway, Eden Prairie, MN 55344 P 800.582.6480 / 952.225.6000 F 877.894.6918 / 952.894.6918
Europe	A Franklinstraat 14, 6003 DK Weert, Netherlands P +31 (0) 495 580 852 F +31 (0) 495 580 845
Asia Pacific	A Office No. 1 on 12/F, Shatin Galleria 18-24 Shan Mei Street Fotan, Shatin, Hong Kong P 852 2145 4099 F 852 2145 4477

