

Studio Furniture Instruction Sheet Config-u-raxx Side Wing Racks- Steel

Raxxess Metalsmiths Page 1 of 3
261 Buffalo Avenue
Paterson, N.J. 07503
Made with pride in the U.S.A.

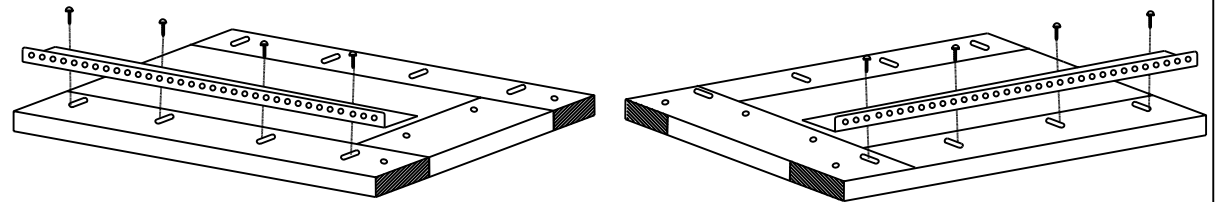
Step 1:

Place the two side panels on a clean flat surface, with the holes facing up. If you are going to use the Raxxess SFRD door, you'll want to place the rails on the side with the flat moulding on the front edge. If you are not using a door, you'll want to place the rails on the side that has the silver "t mould", but the choice is yours.

Place the Rack rails on them, lining up the small pilot holes in the panels with the 1/4" holes in the rack rails.

Drive 4 black wood screws into the matching holes, securing the rails in place with the small holes facing the front as shown.

Next, place the "cams" (little cylinder thingies) into the holes as shown, with the arrows on the cams facing the top of the panel.

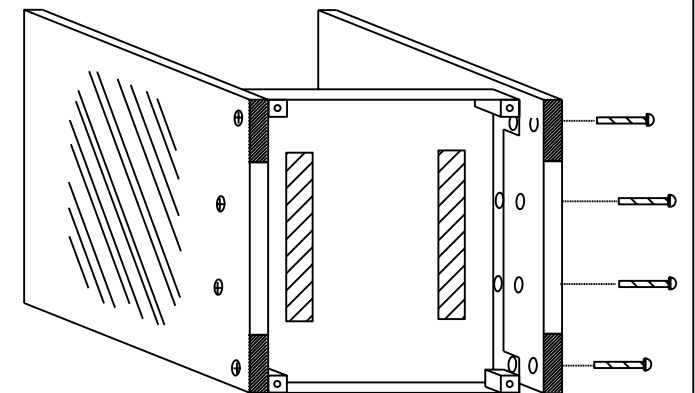
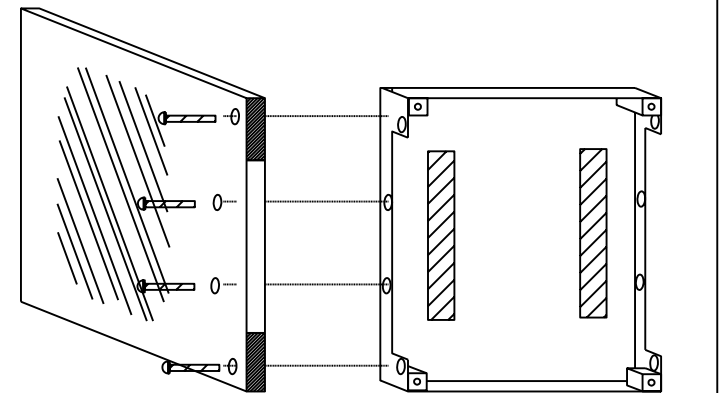


Step 2:

Place one of the side panels in the position shown, next to the rack base.

Run 4 1/4-20 x 1 1/4" screws with washers into the sides of the panel, and into the appropriate holes in the base.

Now do the same thing with the other side panel, leaving all screws loose until they are all in, then tighten them securely.



Studio Furniture Instruction Sheet Config-u-raxx Side Wing Racks

Raxxess Metalsmiths
261 Buffalo Avenue
Paterson, N.J. 07503
Made with pride in the U.S.A.

Page 2 of 3

Step 3:

Now let's prep the table top.

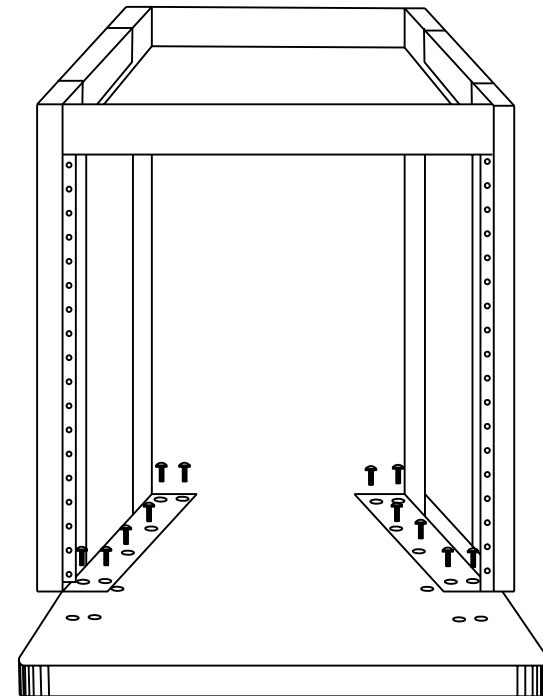
First, you'll have to decide if you prefer the "forward", or "rear" position for your top. The forward position gives you better access to the gear at the front of the rack.

The rear position will provide more legroom, and therefore will limit access to the gear.

Once you decide, place the 6 studs in the "forwardmost" holes, or the "rearwardmost" (is that even a word?) holes as shown.

Step 4:

Next, check that the arrows on the cams are facing the open holes on the top end of the rack assembly, then place the rack assembly over the top, in the position shown, and drop it down on the studs. Be sure to carefully line up the studs with the holes in the top of the rack, then tighten the cams, turning clockwise with a large straight screwdriver.



Studio Furniture Instruction Sheet Config-u-raxx Side Wing Racks

Raxxess Metalsmiths
261 Buffalo Avenue
Paterson, N.J. 07503
Made with pride in the U.S.A.

Page 3 of 3

If you are adding an RB-22 to your side wing rack, follow step 5.
If you are not adding a shelf, turn the unit on it's back, add your rackmount gear, and have at it!

Step 5:

Place a "reciever" (tubing whatchamacallits with silver knobs), in the position shown, and run 2 1/4-20 x 5/8" silver screws in, through the holes, into the table top. Place the other reciever next to it, and run in 2 more of the same screws. Now carefully turn the unit over, and get the shelf and the remaining tubes. Next, screw the "uprights" (larger tubing things with holes up the sides), to the underside of the shelf, as shown, with 4 more of the same screws, and drop the uprights into the recievers as shown. The knobs pull out, then turn, to remain open so that you can find the shelf height that you are comfortable with, then turn them all back at once, when you are near (slightly above) the position that you want. When they all find their holes, they will "click" into place securely.

